



DNS Guidelines for Service Providers and GRX and IPX Providers

Version 27.0

23 April 2026

Security Classification: Non-Confidential

Access to and distribution of this document is restricted to the persons permitted by the security classification. This document is subject to copyright protection. This document is to be used only for the purposes for which it has been supplied and information contained in it must not be disclosed or in any other way made available, in whole or in part, to persons other than those permitted under the security classification without the prior written approval of the Association.

Copyright Notice

Copyright © 2026 GSM Association

Disclaimer

The GSMA makes no representation, warranty or undertaking (express or implied) with respect to and does not accept any responsibility for, and hereby disclaims liability for the accuracy or completeness or timeliness of the information contained in this document. The information contained in this document may be subject to change without prior notice.

Compliance Notice

The information contain herein is in full compliance with the GSMA Antitrust Compliance Policy.

This Permanent Reference Document has been developed and is maintained by GSMA in accordance with the provisions set out in GSMA AA.34 - Policy and Procedures for Official Documents.

Table of Contents

1	Introduction	5
1.1	Overview	5
1.2	Scope	5
1.3	Abbreviation	6
1.4	Document Cross-References	8
2	DNS As Used on the GRX/IPX	10
2.1	Introduction	10
2.2	Architecture	10
2.3	Domains	18
2.3.1	Introduction	18
2.3.2	General	18
2.3.3	Domain names used on the GRX/IPX DNS	18
2.3.4	Domain names used on the Internet DNS (and owned by GSMA)	31
2.3.5	Domain names used on the GRX/IPX DNS for UNI	39
2.4	Non-service specific hostnames and domains	39
2.5	Host names for the evolved packet Core (EPC)	40
2.6	Host names for the IP Multimedia Subsystem (IMS)	40
3	General DNS Configuration for Service Providers	40
3.1	Introduction	40
3.2	DNS Server Hardware	40
3.3	DNS Server Software	40
3.4	DNS Server naming	41
3.5	Domain Caching	41
3.6	Reverse Mapping	41
3.7	Use of DNS Interrogation Modes	42
3.8	Use of the GRX/IPX Root DNS Server	42
3.9	Provisioning of Service Provider's DNS servers	43
3.10	Resource Records	43
3.11	Support for IPv4 and IPv6	43
4	DNS Aspects for Standardised Services	44
4.1	Introduction	44
4.2	General Packet Radio Service (GPRS)	44
4.2.1	Introduction	44
4.2.2	APN resolution in PDP Context activation	44
4.2.3	Inter-SGSN handovers for active PDP Contexts	46
4.3	Multi-media Messaging Service (MMS)	48
4.3.1	Introduction	48
4.3.2	MM delivery based on MSISDN for the Direct Interconnect model	48
4.3.3	MM delivery based on MSISDN for the Indirect Interconnect model	50
4.3.4	MM delivery based on NAI/e-mail address	51
4.4	WLAN Inter-working	51
4.4.1	Introduction	51
4.5	IP Multi-media Sub-system (IMS)	52

4.5.1	Introduction	52
4.5.2	SIP server configuration	53
4.5.3	Domain Names used	55
4.6	Generic Authentication Architecture (GAA)	55
4.6.1	Introduction	55
4.7	Generic Access Network (GAN)	56
4.7.1	Introduction	56
4.8	Secure User Plane Location (SUPL)	56
4.8.1	Introduction	56
4.9	Enhanced Packet Core (EPC)	56
4.9.1	Introduction	56
4.10	IMS Centralised Services (ICS)	56
4.10.1	Introduction	56
4.11	Access Network Discovery Support Function (ANDSF)	56
4.11.1	Introduction	56
4.12	Mobile Broadcast Services (BCAST)	57
4.12.1	Introduction	57
4.13	The XCAP Root URI on Ut Interface for MMTEL/IMS profile for Voice and SMS (XCAP)	57
4.13.1	Introduction	57
4.14	RCS - Rich Communication Suite	57
4.14.1	Introduction	57
4.15	Evolved Packet Data Gateway (ePDG)	58
4.15.1	Introduction	58
4.16	Network element self-configuration	58
4.16.1	Introduction	58
4.17	EPC and GPRS coexistence	58
4.17.1	Introduction	58
4.18	MBMS Service Announcement Bootstrapping	58
4.18.1	Introduction	58
4.19	5G Core (5GC)	58
4.19.1	Introduction	58
4.19.2	Usage of DNS in Peer SEPP FQDN(s) discovery	58
4.19.3	Domain Names used	61
4.19.4	Use of DNS servers in peer SEPP IP address discovery	61
4.19.5	Handling Non-MNO SEPPs	62
4.20	Stand-alone NPN (SNPN)	62
4.20.1	Introduction	62
5	Processes and Procedures relating to DNS	63
5.1	Introduction	63
5.2	Existing domains/sub-domains on the GRX/IPX network and their Allocation	63
5.3	Procedures relating to new domain names on the GRX/IPX network	63
5.4	GSMA Root DNS service and its access	64
5.4.1	GSMA Root DNS Service	64

5.4.2	Access to GSMA Root DNS Service	64
5.5	Delegation of sub-domains of “pub.3gppnetwork.org”	65
Annex A	Sample BIND DNS Configuration for GPRS	67
A.1	Introduction	67
A.2	The "named.conf" file	67
A.2.1	The "named.conf" file for a PLMN Primary Nameserver	67
A.2.2	The "named.conf" file for a PLMN Secondary Nameserver	68
A.3	Zone Configuration Files	68
A.3.1	The "gprs.hint" file	68
A.4	The "0.0.127.in-addr.arpa" file	69
A.4.1	PLMN zone files	69
A.4.2	The "hosts" file	69
A.4.3	The "168.192.in-addr.arpa" file	70
Annex B	Forms for transfer of sub-domain of “pub.3gppnetwork.org”	72
B.1	Request form	72
B.2	Letter of Authorization Template	73
Annex C	Request for sub-domain of “ipxnetwork.org”	76
Document Management		77
	Document History	77
	Other Information	85

1 Introduction

1.1 Overview

Inter Service Provider IP communications are starting to evolve to support services other than GPRS Roaming. Many, if not all, of these services rely upon DNS. Therefore, it is of utmost importance for the interworking and stability of such services that Service Providers have all the necessary information to hand to ease configuration of their DNS servers upon which such services rely.

This document is intended to provide guidelines and technical information for those who need to set up and/or maintain DNS servers for inter Service Provider services. This document is not intended to provide a general education on DNS. Thus, a reasonable level of technical competence in DNS, and DNS server configuration is assumed throughout this document.

1.2 Scope

This GSMA official document provides recommendations on DNS to facilitate successful interworking of inter-Service Provider services. In particular, guidelines for general and service specific configuration of DNS servers, GSMA processes and procedures relating to formats, usage of domain names and sub-domain names, and updates to the GRX/IPX Root DNS Server.

Particular attention is given to DNS servers connected to the private, inter-Service Provider backbone network known as the "GRX" or "IPX", as described in GSMA PRD IR.34 [12].

Out of the scope of this document are vendor specific implementation/architecture options and configuration of DNS servers used on the Internet (e.g. those DNS servers attached to the Internet for web site hosting). The only exception to this is the guidelines for sub domains used for any standardised services that specifically use the Internet i.e. those that use the "pub.3gppnetwork.org" domain name.

Note that ENUM is out-of-scope of this document and is addressed in [56].

1.3 Abbreviation

Abbreviation	Description
3GPP	3rd Generation Partnership Project
5GC	5G Core
AMF	Access and Mobility Management Function
ANDSF	Access Network Discovery Support Function
APN	Access Point Name
BCAST	Broadcast Services
BSF	Binding Support Function
CN	Connection Node
CR	Change Request
CS	Circuit Switch
DNS	Domain Name System
EPC	Evolved Packet Core
ePDG	Evolved Packet Data Gateway
FQDN	Fully Qualified Domain Names
GGSN	Gateway GPRS Support Node
GSG	Global Specification Group
GTP	GPRS Tunnelling Protocol
HLR	Home Location Register
ICMP	Internet Control Message Protocol
ICS	Integrated Communications System
IMS	IP Multi media Sub system
IP	Internet Protocol
ISIM	Integrated Subscriber Identity Module
LAC	Location Area Code
LTE	Long Term Evolution
MBMS	Multimedia Broadcast Multicast Service
MCC	Mobile Country Code
MCPTT	Mission-Critical Push-To-Talk
MG	Member Gateway
MMS	Multimedia Message
MMSC	Multimedia Message Centre
MNC	Mobile Network Code
MNO	Mobile Network Operator
MSC	Mobile Switching Center
MSISDN	Mobile Station International Subscriber Directory Number

Abbreviation	Description
NAI	Network Access Identifier
NAPTR	Naming Authority Pointer Record
NNI	Network-Network Interface
NRI	Network Resource Identifier
O&M	Operations & Maintenance
PDP	Packet Data Protocol
PLMN	Public Land Mobile Network
PRD	Permanent Reference Document
PTR	Phone-Through Rate
RAC	Routing Area Code
RAN	Radio Access Network
RCS	Rich Communication Services
RCS-e	Rich Communication Suite-enhanced
RNC	Radio Network Controller
RR	Resource Records
RVAS	Roaming Value Added Services
SAE	Service Architecture Evolution
SEPP	Security Edge Protection Proxy
SGSN	Serving GPRS Support Node
SIP	Session Initiation Protocol
SNPN	Standalone Non-Public Network
SRNS	Serving Radio Network Subsystem
SP	Service Provider
SRV	Service Record
TLD.	Top-Level domain
TLS	Transport Layer Security
TTL	Time to live
UE	User Equipment
UNI	User-Network Interface
USIM	Universal Subscriber Identity Module
VAS	Value Added Services
VLAN	Virtual Local Area Network

1.4 Document Cross-References

Ref	Document Number	Title
1	IETF RFC 1034	"Domain Names - Concepts and Facilities"
2	IETF RFC 1035	"Domain Names - Implementation and Specification"
3	Void	No more used in current version of the document
4	Void	No more used in current version of the document
5	Void	No more used in current version of the document
6	IETF RFC 3403	"Dynamic Delegation Discovery System (DDDS) Part Three: The Domain Name System (DNS) Database"
7	IETF RFC 3404	"Dynamic Delegation Discovery System (DDDS) Part Four: The Uniform Resource Identifiers (URI)"
8	3GPP TS 23.003	"Numbering, addressing and identification", Version 8.0.0 or higher
9	GSMA PRD IR.52	"MMS Interworking Guidelines"
10	GSMA PRD IR.61	"WLAN Roaming Guidelines"
11	GSMA PRD IR.65	"IMS Roaming and Interworking Guidelines"
12	GSMA PRD IR.34	"Inter-Service Provider IP Backbone Guidelines"
13	IETF RFC 2821	"Simple Mail Transfer Protocol"
14	IETF RFC 2822	"Internet Message Format"
15	3GPP TS 23.140	"Multimedia Messaging Service (MMS); Functional description; Stage 2", version 6.7.0 or higher
16	Void	No more used in current version of the document
17	IETF RFC 3263	"Session Initiation Protocol (SIP): Locating SIP Servers"
18	IETF RFC 2782	"A DNS RR for specifying the location of services (DNS SRV)"
19	3GPP TS 33.220	"Generic Authentication Architecture (GAA); Generic bootstrapping architecture", version 6.9.0 or higher
20	3GPP TS 43.318	"Generic Access to the A/Gb interface; Stage 2", version 6.6.0 or higher
21	3GPP TS 44.318	"Generic Access (GA) to the A/Gb interface; Mobile GA interface layer 3 specification", version 6.5.0 or higher
22	3GPP TS 23.236	"Intra Domain Connection of RAN Nodes to Multiple CN Nodes", version 6.3.0 or higher
23	3GPP TS 23.060	"General Packet Radio Service (GPRS); Service description; Stage 2", version 6.14.0 or higher
24	IETF RFC 3824	"Using E.164 numbers with the Session Initiation Protocol (SIP)"
25	Void	No more used in current version of the document

Ref	Document Number	Title
26	3GPP TS 29.060	"General Packet Radio Service (GPRS); GPRS Tunnelling Protocol (GTP) across the Gn and Gp interface"
27	OMA OMA-AD-SUPL-V1_0-2 0070615-A	"Secure User Plane Location Architecture; Approved Version 1.0 – 15 June 2007"
28	3GPP TS 23.401	"General Packet Radio Service (GPRS) enhancements for Evolved Universal Terrestrial Radio Access Network (E-UTRAN) access"
29	3GPP TS 23.402	"Architecture enhancements for non-3GPP accesses"
30	3GPP TS 23.292	"IP Multimedia System (IMS) centralized services; Stage 2"
31	Void	No more used in current version of the document
32	Void	No more used in current version of the document
33	Void	No more used in current version of the document
34	Void	No more used in current version of the document
35	3GPP TS 24.229	"IP Multimedia Call Control Protocol based on Session Initiation Protocol (SIP) and Session Description Protocol (SDP); Stage 3", version 7.13.0 or higher.
36	ITU-T Recommendation E.212	"The international identification plan for mobile terminals and mobile users"
37	ITU-T Recommendation E.164	"The international public telecommunication numbering plan"
38	IETF RFC 3261	"SIP: Session Initiation Protocol"
39	GSMA PRD IR.33	"GPRS Roaming Guidelines"
40	OMA OMA-TS- BCAST_Service_Guide- V1_1-20100111-D	"Service Guide for Mobile Broadcast Services"
41	Void	No more used in current version of the document
42	GSMA PRD IR.40	"Guidelines for IP Addressing and AS Numbering for GRX/IPX Network Infrastructure and User Terminals"
43	Void	No more used in current version of the document
44	IETF RFC 4825	"The Extensible Markup Language (XML) Configuration Access Protocol (XCAP)"
45	3GPP TS24.623	"Extensible Markup Language (XML) Configuration Access Protocol (XCAP over the Ut interface for Manipulating Supplementary Services)"
46	GSMA PRD IR.92	"IMS Profile for Voice and SMS"
47	Void	No more used in current version of the document
48	GSMA PRD RCC.07	Rich Communication Suite - Advanced Communications Services and Client Specification

Ref	Document Number	Title
49	GSMA PRD IR.21	GSM Association Roaming Database, Structure and Updating Procedures
50	3GPP TS 32.501	Telecommunication management; Self-configuration of network elements; Concepts and requirements
51	3GPP TS 36.300	Evolved Universal Terrestrial Radio Access (E-UTRA) and Evolved Universal Terrestrial Radio Access Network (E-UTRAN); Overall description; Stage 2
52	GSMA PRD IR.88	LTE and EPC Roaming Guidelines
53	3GPP TS 26.346	Multimedia Broadcast/Multicast Service (MBMS); Protocols and codecs
54	Void	No more used in current version of the document
55	3GPP TS 24.379	Mission Critical Push To Talk (MCPTT) call control; Protocol specification
56	GSMA NG.105	ENUM Guidelines for Service Providers and IPX Providers
57	3GPP TS 23.501	System architecture for the 5G System (5GS); Stage 2
58	GSMA PRD NG.102	IMS Profile for Converged IP Communications
59	3GPP TS 23.003	Technical Specification Group Core Network and Terminals. Numbering, addressing and identification
60	GSMA PRD NG.113	5GS Roaming Guidelines
61	GSMA PRD FS.34	Key Management for 4G and 5G inter-PMN Security
62	3GPP TS 29.573	Interconnection; Stage 3
63	GSMA PRD TS.43	Service Entitlement Configuration
64	3GPP TS 33.310	Technical Specification Group Services and System Aspects ; Network Domain Security (NDS); Authentication Framework (AF)

2 DNS As Used on the GRX/IPX

2.1 Introduction

The Domain Name System is critical to such services as GPRS roaming, inter-PLMN MMS delivery and IMS inter-working. DNS is defined in many IETF RFC documents; the most notable ones are IETF RFC 1034 [1] and IETF RFC 1035 [2].

2.2 Architecture

The DNS on the inter-PLMN IP backbone network (known as the "GRX/IPX") is completely separate from the DNS on the Internet. This is purposely done to add an extra layer of security to the GRX/IPX network, and the nodes within it. The GRX/IPX Root DNS Servers that network operators see are known as "Secondary" Root DNS Servers (Formerly known

as "Slave" Root DNS Server) and are commonly provisioned by that Service Provider's GRX/IPX. However, these Secondary Root DNS Servers can be provisioned by operators themselves if they so wish.

Each Secondary Root DNS Server is synchronised with a "Primary" Root DNS Server (Formerly known as "Master" Root DNS Server). This process of synchronisation is known as a "Zone Transfer" and ensures that the data is the same in all GRX/IPX Service Providers' and Operators' Secondary Root DNS Servers. The following diagram depicts this:

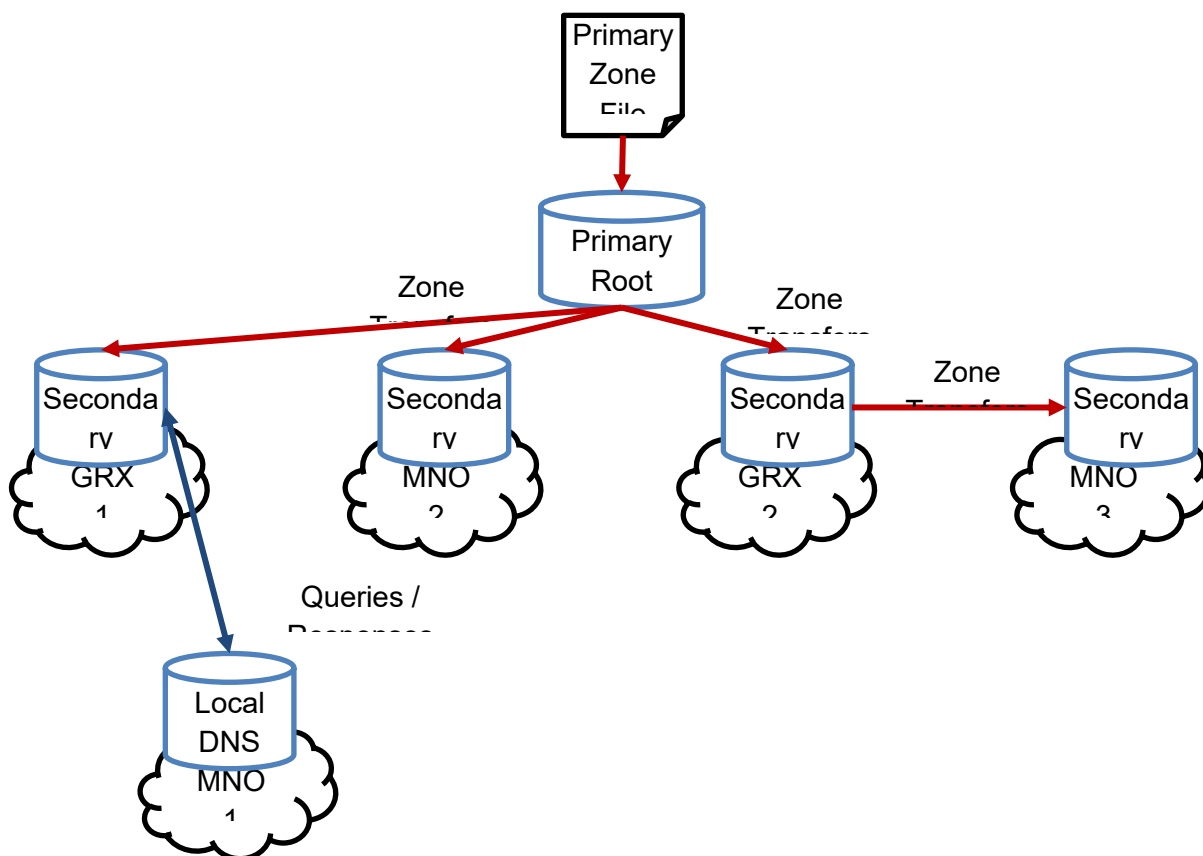


Figure 1: Backbone Architecture

The data in the Primary Root DNS Server is known as the Primary Zone File. The population of the data that goes into the Primary Zone File has a number of sources, mainly Operators, GRX/IPX Providers and GRX/IPX Providers acting on behalf of Operators. It is also policed and validated by the Primary Root DNS Server providers (under authority from GSMA) to ensure such things as correct sub domain allocation and usage etc. The following diagram depicts this:

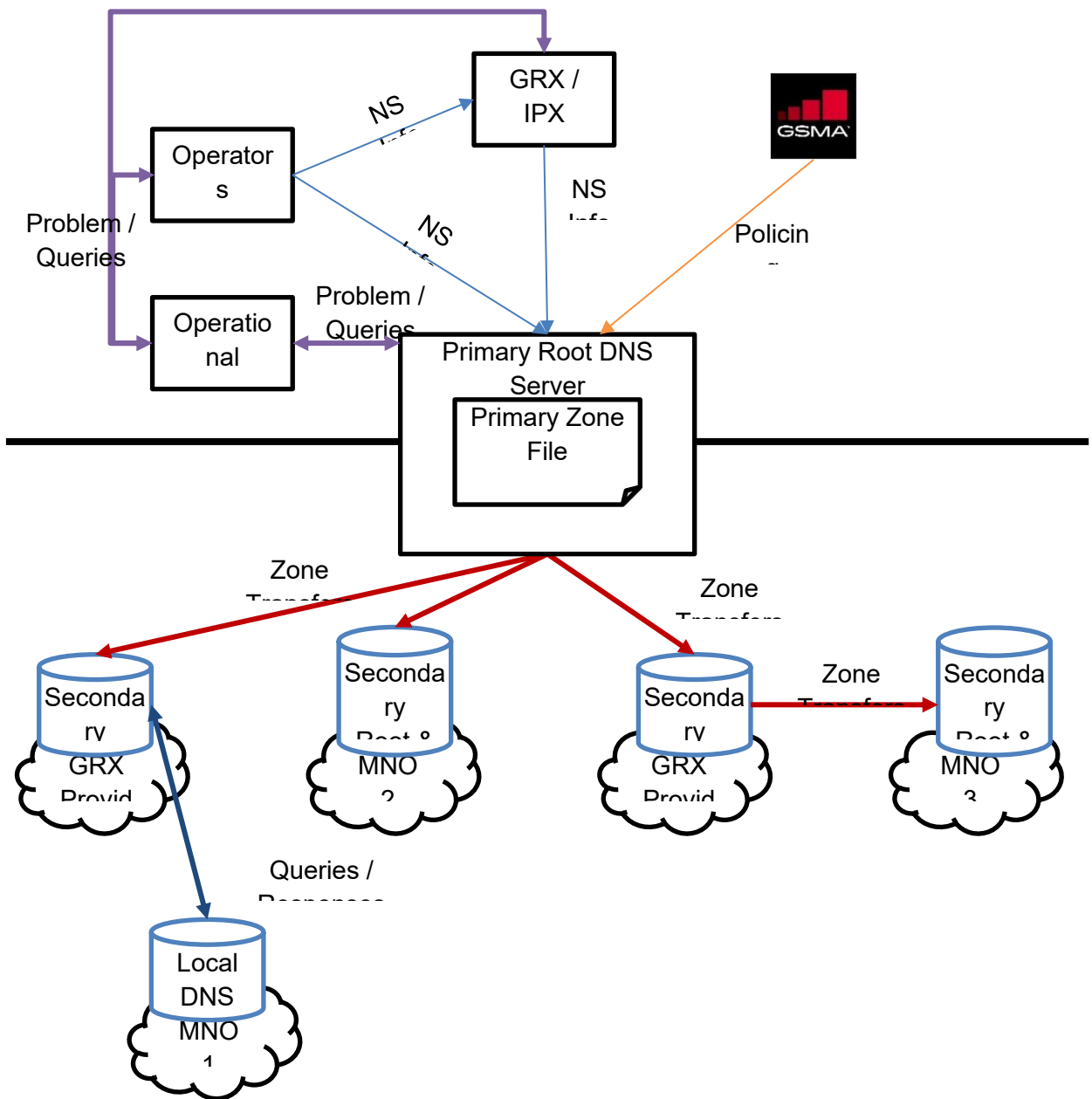


Figure 2: Overall Process Architecture

Finally, the following shows the architecture and the *typical* signalling involved in resolving hostnames to IP addresses or vice versa. The numbered steps below in the diagram correspond to the numbered message flows:

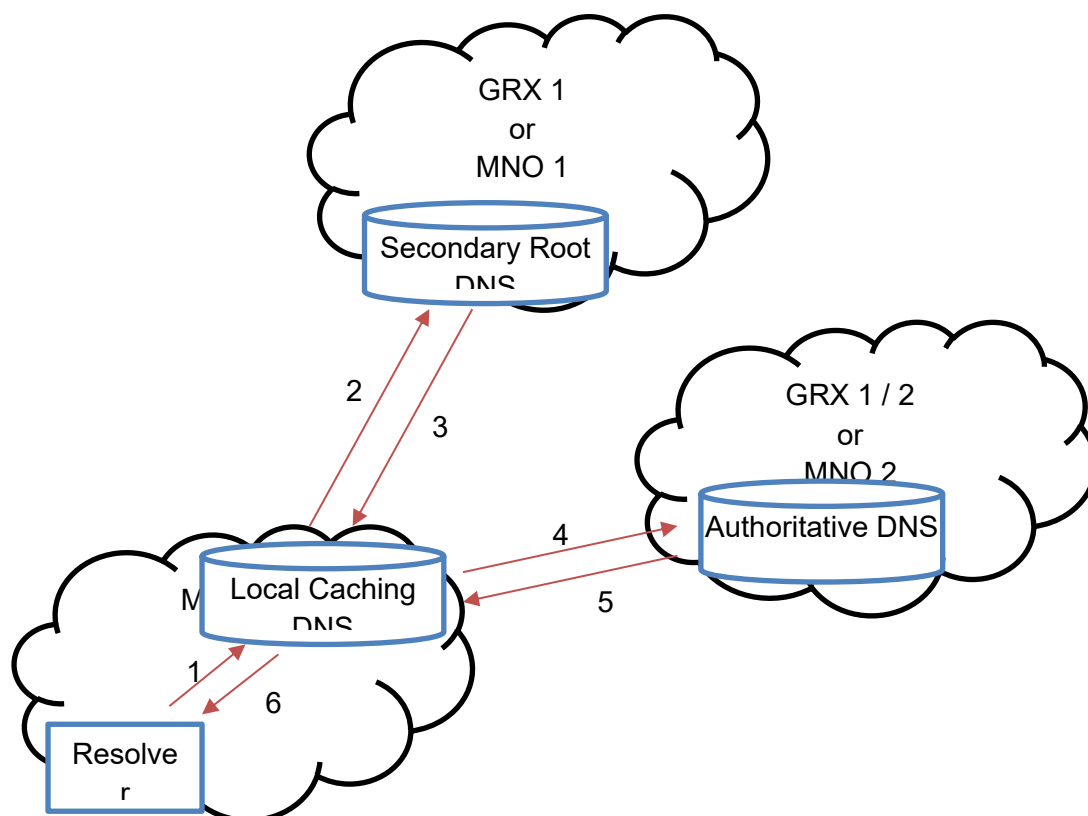


Figure 3: Resolver Architecture

The Resolver (for example an SGSN trying to find out the IP address of a GGSN) sends a query for the hostname (for example an APN) for which it wants the IP address, to its local caching DNS server.

The local caching DNS server checks to see if it has the answer to the query in its cache. If it does it answers immediately (with message 6). Otherwise, it forwards the query on to the Root DNS server. The Root DNS server may reside in the Service Provider 1's network, or it may reside in the GRX/IPX provider's network (GRX1). The address(es) of the Root DNS server may either be statically configured or be found by using Host Anycasting (see below).

The Root DNS server returns a referral to the DNS server which is authoritative for the queried domain name of the hostname (for example returns the authoritative server for "mnc015.mcc234.gprs").

The local caching DNS server caches the response for a specified amount of time (specified by the root DNS server) and then re-sends the query but to the authoritative DNS server as specified by the Root DNS server. The authoritative DNS server may reside in the same GRX/IPX provider's network (GRX1), another GRX/IPX provider's network (GRX2) or the network of the destination Mobile Network Operator (Service Provider 2). (Indeed, it may even reside in the requesting Service Provider's network!)

The Authoritative DNS server responds to the query with the address of the hostname (or responds with a hostname, if a reverse lookup is being performed) to the Local Caching server in the requesting network (Service Provider 1).

The Local Caching Server caches the response for a specified amount of time (specified by the authoritative server) and forwards it on to the Resolver.

Note 1: The above shows only a typical message flow for the DNS resolving on the GRX/IPX. It may take extra queries when an MNO has Multiple levels of authoritative DNS servers (see example below and section 3.1). Please refer to section 4 for more detailed information for each service.

Note 2: In clause 7.11.21 (Section 17) of GSMA PRD IR.21 [49] provides for MNOs to directly exchange the IP addresses and DNS names of their authoritative DNS servers. This gives the option for an MNO who has received such information from another MNO to configure directly into their local caching servers the authoritative DNS servers IP addresses for the corresponding DNS names.

When this option is used, and a query matching a configured DNS name is received, the interaction with the Root DNS server specified in steps 2-4 above is bypassed. Instead, the query is sent directly to the other operators authoritative DNS server, after which steps 5 and 6 follow. However, if the local caching DNS server has cached the answer to the query, the answer is sent directly as specified in step 2.

Instead of having a single Authoritative DNS, an Operator may choose to split the DNS into several levels of DNS for example a First Level DNS which may be authoritative for some of the domain names "owned" by the MNO, and one or more Second Level Authoritative DNSes, which may be authoritative for different "subdomainnames", where for example a Second Level DNS may be outsourced to 3rd party service provider for a particular service.

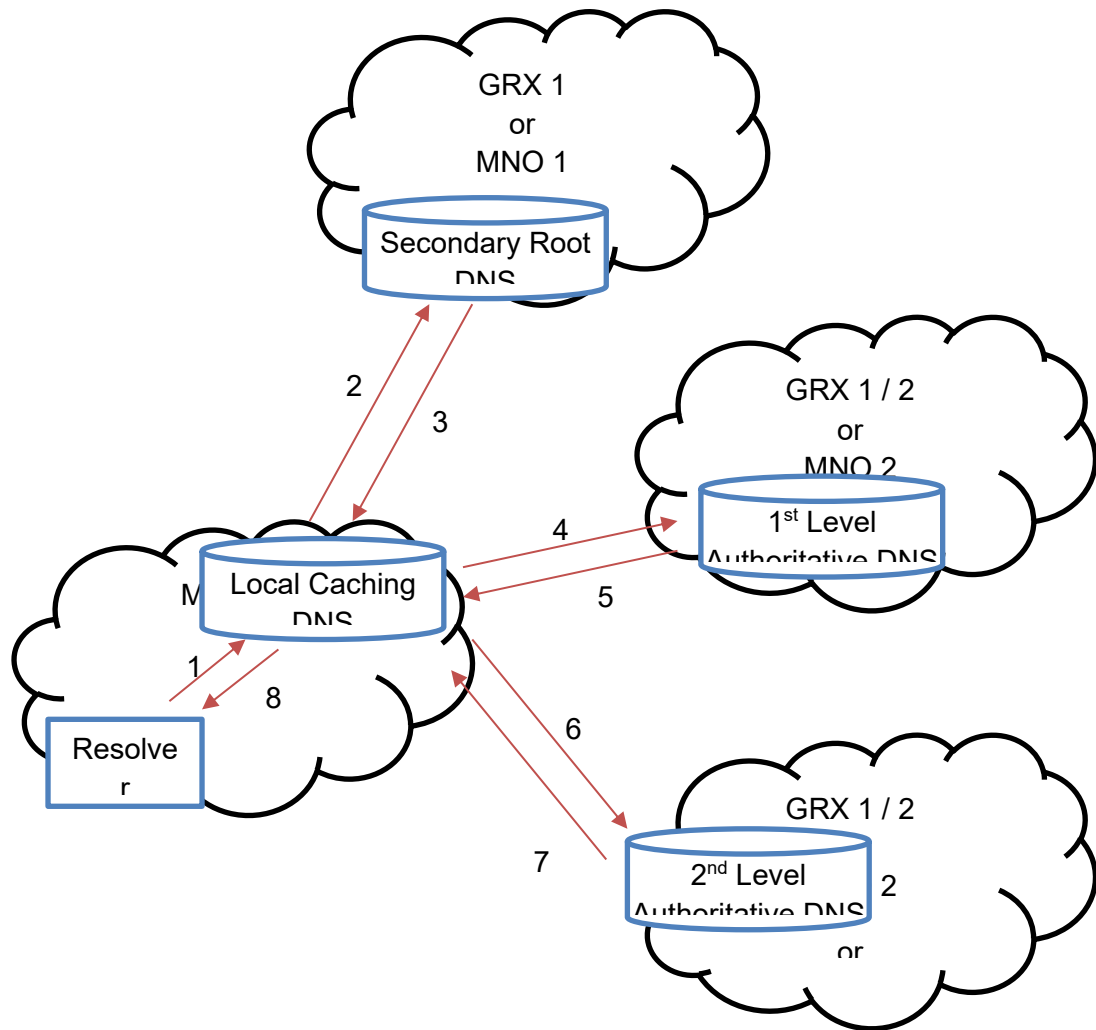


Figure 4: Resolver Architecture with multiple levels of Authoritative DNS

1. Same as step 1 in the example above
2. Same as step 2 in the example above
3. Same as step 3 in the example above
4. Same as step 4 in the example above
5. The First Level Authoritative DNS server may be authoritative for the queried domain name, in which case it responds to the query with the address of the hostname (or responds with a hostname, if a reverse lookup is being performed) to the Local Caching server in the requesting network (Service Provider 1). In this case the following step process continues with step 8.

7. Alternatively for certain “subdomain names”, a second level DNS may be authoritative. In this case The First Level Authoritative DNS server returns a referral to the Second Level DNS server which is authoritative for the queried domain name of the hostname (for example returns the authoritative server for "<subdomainname>.mnc015.mcc234.gprs")
8. The local caching DNS server caches the response for a specified amount of time (specified by the First Level Authoritative DNS server) and then re - sends the query to the Second Level Authoritative DNS server as specified by the First Level Authoritative DNS server. The 2nd Level Authoritative DNS server may reside in the same GRX/IPX provider's network (GRX1), another GRX/IPX provider's network (GRX2), the network of the destination Mobile Network Operator (Service Provider 2), or in a 3rd Party Service Providers Network.
9. The Second Level Authoritative DNS server may respond to the query with the address of the hostname (or responds with a hostname, if a reverse lookup is being performed) to the Local Caching server in the requesting network (Service Provider 1).
10. The Local Caching Server caches the response for a specified amount of time (specified by the authoritative server) and forwards it on to the Resolver.

Note 3: It is recommended that no more than two Levels of Authoritative DNS (that is First Level and Second Level) are provisioned in a resolution "chain".

Note 4: In case the option to directly configure the IP address of another operator's DNS server is used as discussed in NOTE 2 above, only IP addresses of First Level Authoritative DNS Server should be configured.

Some IPX services are offered on different network segments (VLANs) that are application aware and that may not provide end-to-end IP connectivity, i.e. as shown in Fig 4 below, MNO2 can either be an On-net MNO or an Off-net via IPX2. The DNS architecture is required to take this into account. (See GSMA PRD IR.34 [12]). A resolver architecture where the DNS service is “fronted” with a DNS cache/forwarder is required.

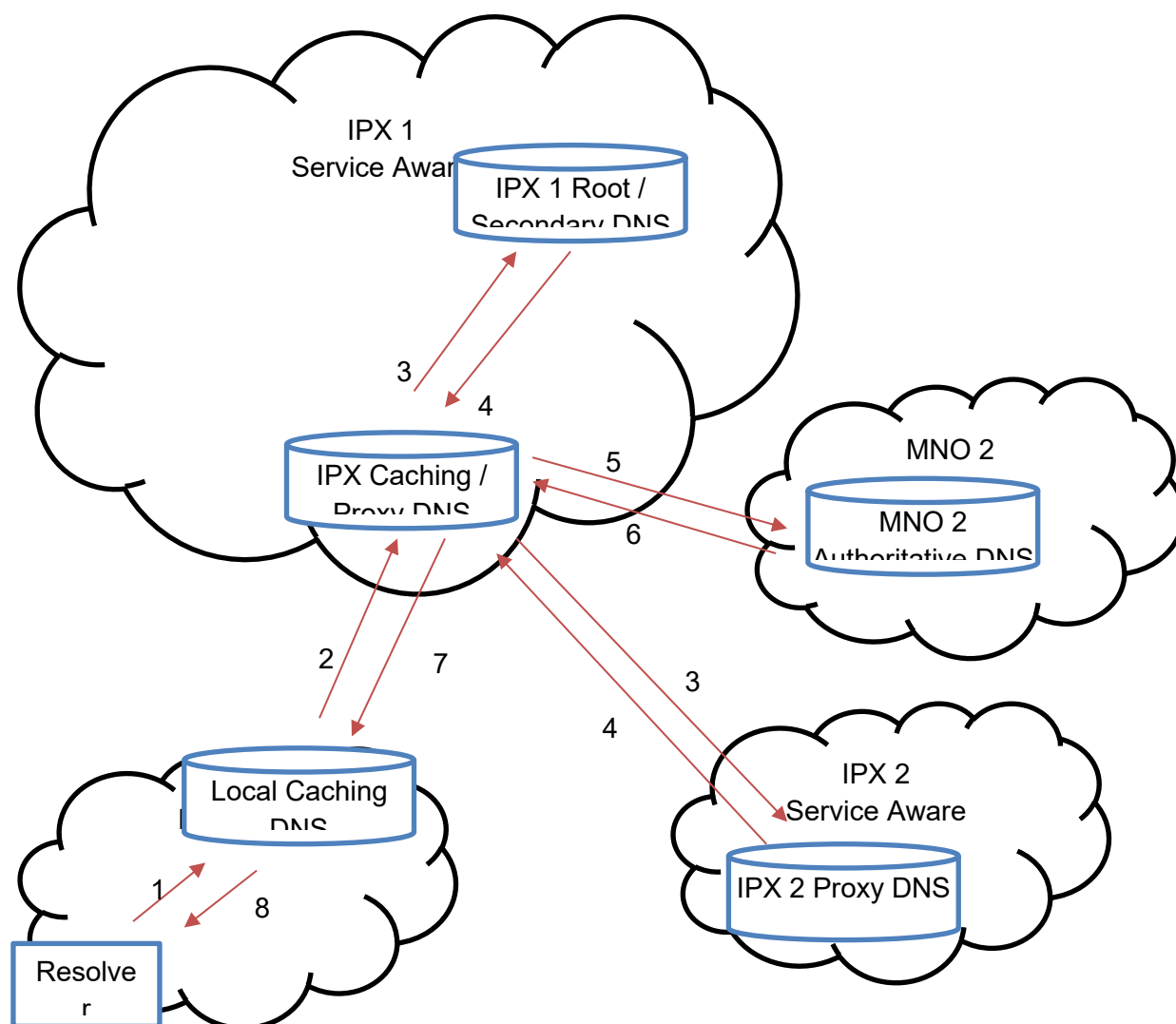


Figure 5: Service aware network resolver architecture

1. The Resolver sends a query, to its local caching DNS server for the hostname for which it wants the IP address.
2. The local caching DNS server checks to see if it has the answer to the query in its cache. If it does, it answers immediately (with message 8). Otherwise, it forwards the query on to the IPX proxy/DNS
3. Based on the requested domain, the IPX DNS/Cache, either sends the query to the root DNS (in case MNO2 is on-net) or to the next IPX provider proxy (if MNO2 is off-net) to resolve the query.
4. The secondary root DNS returns the authoritative DNS for the requested domain in MNO 2 or (message 4-bis) the IPX 2 proxy returns the query response.
5. (Case of on-net only:) The IPX proxy/cache sends the query to the authoritative DNS in MNO 2 network.

6. (Case of on-net only:) The authoritative DNS in MNO 2 returns the response to the query.
7. The IPX proxy/cache returns the response to the query to the cache in MNO 1 network.
8. The response is returned from the local cache to the resolver.

2.3 Domains

2.3.1 Introduction

The following sub-sections detail the domain names that can and cannot be used on the GRX/IPX network.

In addition to this, the 3GPP have designated a specific sub domain for usage on the Internet's DNS to enable user equipment to locate a specific server on the Internet (terminals cannot see the GRX/IPX therefore a whole new sub domain had to be introduced). For more information on which domains used by 3GPP are intended for which network, see 3GPP TS 23.003 [8], Annex D.

2.3.2 General

Unlike the DNS on the Internet, the DNS on the GRX/IPX network is currently much "flatter". That is, there are not so many domains (and sub-domains of thereof), supported and provisioned in the GRX/IPX Root DNS Server. This inherently means that all domain names used by Service Providers and GRX/IPX Providers in any service that utilises the GRX/IPX network are limited to just the domain names detailed in 2.3.3 below. **No other domain name formats are currently supported on the GRX/IPX network!** This effectively means a limitation of domain names of ".gprs" and ".3gppnetwork.org" at the higher level, and limited beneath to sub-domains of a format based on ITU-T Recommendation E.212 [36] number ranges.

For the ".gprs" domain name, so called "human friendly" sub-domains are also allowed, as specified in 3GPP TS 23.003 [8], section 9. This consists of simply an FQDN reserved in the Internet domain name space e.g. serviceprovider.fi, serviceprovider.co.uk. However, such sub-domains of ".gprs" are not generally used in the GRX/IPX network and it is recommended not to use these as they can negatively affect GPRS/3G PS roaming. See section 2.3.3 below for more details.

More information on processes and procedures relating to domain names can be found in section 5.

2.3.3 Domain names used on the GRX/IPX DNS

The following provides a summary of the domain names that are used by Service Providers on private IP inter-connects and on the GRX/IPX network. These domain names are only resolvable by network equipment and not by end users. That is, they are exclusively used on the Network-Network Interface (NNI) and not on the User-Network Interface (UNI).

Additional domain names that are resolvable on the GRX/IPX network's DNS may be added in the future. See section 5 for more details.

For more details about each domain name and/or sub-domain name, refer to the referenced documents.

Domain name	Sub-domain(s)	Explanation	Rules of Usage	Resolvability
.gprs	<p>Service Provider domains of the form: <Network_Label>.mnc<MNC>.mcc<MCC>.gprs</p> <p>Where <Network Label> is the Network Label part of the Access Point Name (APN) as defined in 3GPP TS 23.003 [8], section 9, and <MNC> and <MCC> are the MNC and MCC of the Service Provider represented in decimal (base 10) form, with any 2 digit MNC padded out to 3 digits by inserting a zero ("0") on the beginning e.g. 15 becomes 015.</p>	<p>Used in GPRS for the Operator ID in APNs. See section 4.2 and also 3GPP TS 23.003 [8], section 9, for more information.</p> <p>For Support of 2G/3G and EPC coexistence, see also section 4.17</p>	<p>Each Service Provider is allowed to use only sub-domains consisting of MNC(s) and MCC(s) that are allocated to them by ITU-T and their local national numbering authority.</p> <p>Service Providers should avoid using Network Labels consisting of any of the below defined sub-domains, in order to avoid clashes.</p>	<p>Domain needs to be resolvable by at least all GPRS/PS roaming partners.</p>
	<p>rac<RAC>.lac<LAC>.mnc<MNC>.mcc<MCC>.gprs</p> <p>Where <RAC> and <LAC> are the Routing Area Code and Location Area Code (respectively) represented in hexadecimal (base 16) form, and <MNC> and <MCC> are the MNC and MCC of the Service Provider represented in decimal (base 10) form, with any 2 digit MNC padded out to 3 digits by inserting a zero ("0") on the beginning e.g. 15 becomes 015.</p>	<p>Used in inter-SGSN handovers (i.e. Routing Area Updates) by the new SGSN (possibly in a new PLMN) to route to the old SGSN (possibly in the old PLMN). See section 4.2 and also 3GPP TS 23.003 [8], Annex C.1, for more information.</p>	<p>Each Service Provider is allowed to use only sub-domains consisting of MNC(s) and MCC(s) that are allocated to them by ITU-T and their local national numbering authority.</p>	<p>Domains need to be resolvable by at least all SGSNs to which a UE can hand over (which may be in other networks, if inter network GPRS/PS handovers are supported in a Service Provider's network).</p>

Domain name	Sub-domain(s)	Explanation	Rules of Usage	Resolvability
	<p>nri<NRI>.rac<RAC>.lac<LAC>.mnc<MNC>.mcc<MCC>.gprs</p> <p>Where <NRI>, <RAC> and <LAC> are the Network Resource Identifier, Routing Area Code and Location Area Code (respectively) represented in hexadecimal (base 16) form, and <MNC> and <MCC> are the MNC and MCC of the Service Provider represented in decimal (base 10) form, with any 2 digit MNC padded out to 3 digits by inserting a zero ("0") on the beginning e.g. 15 becomes 015.</p>	<p>Used in Routing Area Updates by the new SGSN (possibly in a new PLMN) to route to the old SGSN (possibly in the old PLMN), where Intra Domain Connection of RAN Nodes to Multiple CN Nodes (also known as "RAN flex" – see 3GPP TS 23.236 [22]) is applied. See section 4.2 and also 3GPP TS 23.003 [8], Annex C.1, for more information.</p>		
	<p>rnc<RNC>.mnc<MNC>.mcc<MCC>.gprs</p> <p>Where <RNC> is the RNC ID represented in hexadecimal (base 16) form, and <MNC> and <MCC> are the MNC and MCC of the Service Provider represented in decimal (base 10) form, with any 2 digit MNC padded out to 3 digits by inserting a zero ("0") on the beginning e.g. 15 becomes 015.</p>	<p>Used in SRNS relocation to route to the target RNC in the new SGSN (possibly in a new PLMN). See section 4.2 and also 3GPP TS 23.003 [8], Annex C.3, for more information.</p>		
	<p>mms.mnc<MNC>.mcc<MCC>.gprs</p> <p>Where <MNC> and <MCC> are the MNC and MCC of the Service Provider represented in decimal (base 10) form, with any 2 digit MNC padded out to 3 digits</p>	<p>Used in MMS for the domain name part of the FQDN for MMSCs. See section 4.3 and also 3GPP TS 23.140</p>		<p>Domain needs to be resolvable by at least all directly connected MMS interworking partners/Service Providers and directly</p>

Domain name	Sub-domain(s)	Explanation	Rules of Usage	Resolvability
	by inserting a zero ("0") on the beginning e.g. 15 becomes 015.	[15], section 8.4.5.1, for more information.		connected MMS Hub Providers.
	<p><Internet_assigned_domain_name>.gprs</p> <p>Where <Internet_assigned_domain_name> is a domain name reserved by the Service Provider on the Internet. An example is "example.com.gprs"</p>	Used as an alternative Operator ID in APNs (also known as "Human Readable APNs"). See 3GPP TS 23.003 [8], section 9, for more details.	The domain name(s) used must be owned by that Service Provider on the Internet. If the domain name(s) expire on the Internet, they also expire on the GRX/IPX. Care should be taken to ensure there is no clash with the other sub-domains for ".gprs" as defined above.	Domain needs to be resolvable by at least all GPRS/PS roaming partners.
.3gppnetwork.org	<p>ims.mnc<MNC>.mcc<MCC>.3gppnetwork.org</p> <p>Where <MNC> and <MCC> are the MNC and MCC of the Service Provider represented in decimal (base 10) form, with any 2 digit MNC padded out to 3 digits by inserting a zero ("0") on the beginning e.g. 15 becomes 015.</p>	Used in IMS in SIP addressing; specifically, in the Private and Public Identities used in SIP registration. See section 4.5 and 3GPP TS 23.003 [8], section 13, for more information.	Each Service Provider is allowed to use only sub domains consisting of MNC(s) and MCC(s) that are allocated to them by ITU T and their local national numbering authority.	Domain needs to be resolvable by at least all SIP/IMS based service inter working partners/Service Providers, as well as roaming partners where a visited P-CSCF is used.
	<p>rsc.mnc<MNC>.mcc<MCC>.3gppnetwork.org</p> <p>As above. The differentiator "rsc" is used to enable differentiation between IMS cores providing MMTEL and RCS services in the dual registration case (see</p>	Used in SIP addressing to an MNO-provided IMS core providing only RCS services.	Sub domains within the Service Provider's domain (i.e. mnc<MNC>.mcc<MCC>) are documented in	As above

Domain name	Sub-domain(s)	Explanation	Rules of Usage	Resolvability
	<p>GSMA PRD NG.102 [578]). In this case, the IMS core providing RCS services is hosted by the MNO.</p> <p><provider>.rcs.mnc<MNC>.mcc<MCC>.3gppnetwork.org</p> <p>The <provider> identifies a non-MNO 3rd party entity providing RCS services on behalf of a single MNO identified by MCC/MNC. Used to identify the IMS core providing RCS services in the dual registration case (see GSMA PRD NG.102 [578]) where the hosted IMS solution is provided with MNO consent (i.e. using the 3rd party's terms and conditions, but using standard MCC/MNC based domain for provisioning).</p>	Used in SIP addressing to a hosted IMS core providing only RCS services.	3GPP TS 23.003 [8]. It is recommended that Service Providers do not use other sub domains that are not specified in 3GPP, OMA or in this PRD as this could potentially cause a clash of sub domain usage in the future.	As above
	<p><provider>.rcs.3gppnetwork.org</p> <p>In this case, the <provider> is a domain name reserved by a 3rd party RCS provider on the Internet. It identifies Used to identify the IMS core providing RCS services in the dual registration case (see GSMA PRD NG.102 [587]) where the hosted IMS solution is provided without MNO consent (i.e. using the 3rd party's terms and conditions and a proprietary domain for provisioning).</p>	Used in SIP addressing to a hosted IMS core providing only RCS services.		As above
	<p>wlan.mnc<MNC>.mcc<MCC>.3gppnetwork.org</p> <p>Where <MNC> and <MCC> are the MNC and MCC of the Service Provider represented in decimal (base 10) form, with any 2 digit MNC padded out to 3 digits</p>	Used in WLAN inter-working for NAI realms. See section 4.4 and 3GPP TS 23.003 [8], section 14, for more information.		Since this is a realm, not a domain name, it does not necessarily have to be resolvable by external entities. The only time this is

Domain name	Sub-domain(s)	Explanation	Rules of Usage	Resolvability
	by inserting a zero ("0") on the beginning e.g. 15 becomes 015.			used in DNS is when Diameter is used and the next hop is determined by DNS rather than a look up table.
	<p>gan.mnc<MNC>.mcc<MCC>.3gppnetwork.org</p> <p>Where <MNC> and <MCC> are the MNC and MCC of the Service Provider represented in decimal (base 10) form, with any 2 digit MNC padded out to 3 digits by inserting a zero ("0") on the beginning e.g. 15 becomes 015.</p>	Used in the Generic Access Network for Full Authentication NAI realms and Fast Re-authentication NAI realms. See section 4.7 and 3GPP TS 23.003 [8], section 17.2, for more information.		Since this is a realm, not a domain name, it does not necessarily have to be resolvable by external entities. The only time this is used in DNS is when Diameter is used and the next hop is determined by DNS rather than a look up table.
	<p>epc.mnc<MNC>.mcc<MCC>.3gppnetwork.org</p> <p>Where <MNC> and <MCC> are the MNC and MCC of the Service Provider represented in decimal (base 10) form, with any 2 digit MNC padded out to 3 digits by inserting a zero ("0") on the beginning e.g. 15 becomes 015.</p>	Used in the Enhanced Packet Core (EPC) architecture (previously known as Service Architecture Evolution – SAE) for NAIs and FQDNs of EPC related nodes. See section 4.9 and 3GPP TS 23.003 [8], section 19, for more information. For support of EPC and 2G/3G		Domain and sub-domains need to be resolvable by EPC/SAE roaming partners.

Domain name	Sub-domain(s)	Explanation	Rules of Usage	Resolvability
		coexistence see also section 4.17		
	5gc.mnc<MNC>.mcc<MCC>.3gppnetwork.org Where <MNC> and <MCC> are the MNC and MCC of the Service Provider represented in decimal (base 10) form, with any 2-digit MNC padded out to 3 digits by inserting a zero ("0") on the beginning e.g. 15 becomes 015.	Used in the 5G Core (5GC) architecture for NAIs and FQDNs of 5GC related nodes. See section 4.19 and 3GPP TS 23.003 [8], section 28, for more information.		Domain and sub-domains need to be resolvable by 5GC roaming partners.
	ics.mnc<MNC>.mcc<MCC>.3gppnetwork.org Where <MNC> and <MCC> are the MNC and MCC of the Service Provider represented in decimal (base 10) form, with any 2 digit MNC padded out to 3 digits by inserting a zero ("0") on the beginning e.g. 15 becomes 015.	Used in the IMS Centralised Services feature in SIP addressing. See section 4.10 and 3GPP TS 23.003 [8], section 20, for more information.		Domain should only be resolvable for CS roaming partners where an MSC (Server) enhanced for ICS is allowed to be used in that visited partner's network.
	node.mnc<MNC>.mcc<MCC>.3gppnetwork.org Where <MNC> and <MCC> are the MNC and MCC of the Service Provider represented in decimal (base 10) form, with any 2 digit MNC padded out to 3 digits by inserting a zero ("0") on the beginning e.g. 15 becomes 015.	Used by Service Providers to provide FQDNs to non-service specific nodes/hosts e.g. DNS/ENUM servers, routers, firewalls etc. See section 2.4 of this document for more information.	Each Service Provider is allowed to use only sub-domains consisting of MNC(s) and MCC(s) that are allocated to them by ITU-T and their local national numbering authority.	Domain needs to be resolvable by at least all roaming/interworking partners for the services used by this domain name.
	oam.mnc<MNC>.mcc<MCC>.3gppnetwork.org	Used by eNBs and possibly other network entities in network	Each Service Provider is allowed to use only sub-domains	Domain should only be resolvable by entities within an

Domain name	Sub-domain(s)	Explanation	Rules of Usage	Resolvability
	<p>Where <MNC> and <MCC> are the MNC and MCC of the Service Provider represented in decimal (base 10) form, with any 2 digit MNC padded out to 3 digits by inserting a zero ("0") on the beginning e.g. 15 becomes 015.</p>	<p>element self-configuration to discover an Operations and Maintenance (OAM) system. See section 4.16 and also 3GPP TS 23.003 [8] section 23, for more information.</p>	<p>consisting of MNC(s) and MCC(s) that are allocated to them by ITU-T and their local national numbering authority.</p>	<p>operator's network, or in the case of network sharing, within the shared operator's network.</p>
	<p>5gc.nid<NID>.mnc<MNC>.mcc<MCC>.3gppnetwork.org</p> <p>Where <NID>, <MNC> and <MCC> are the NID, MNC and MCC of the Service Provider represented in decimal (base 10) form, with any 2-digit MNC padded out to 3 digits by inserting a zero ("0") on the beginning e.g. 15 becomes 015.</p>	<p>Used to identify Home Network Domain for a Stand-alone Non-Public Network (SNPN). See section 4.20 and 3GPP TS 23.003 [8], section 12.7 (NID) and section 28, for more information.</p>	<p>For interworking with an SNPN (e.g. discovery of AMFs from an SNPN by a shared NG RAN), this sub-domain can be used when the MCC, MNC and NID uniquely identifies the SNPN. For signalling within an SNPN, this sub-domain can be used regardless of whether the MCC, MNC and NID uniquely identifies the SNPN or not.</p>	<p>Domain needs to be resolvable by at least all roaming/interworking partners for the services used by this domain name.</p>
	<p>mc1-encrypted.3gppnetwork.org</p>	<p>Used by the MCPTT service in an XML text where confidentiality protection of a URI as specified in TS 24.379 [55] is required. See</p>	<p>Each Service Provider is allowed to include this domain name when confidentiality protection of a URI as specified in TS 24.379</p>	<p>Intentionally not resolvable by any entity.</p>

Domain name	Sub-domain(s)	Explanation	Rules of Usage	Resolvability
		Rel-13 version of 3GPP TS 23.003 [8], section 26.2, for more information.	[55] is required and the URI is not used for routing.	
	5gc.group-<text>.3gppnetwork.org Where <text> shall be between 2-10 characters and follow DNS rule scheme	Used in the 5G Core (5GC) architecture for NAIs and FQDNs of 5GC related nodes belonging to an operator group. See NG.113 [60] for more information.		Domain needs to be resolvable by at least all roaming/interworking partners for the services used by this domain name.
	unreachable.3gppnetwork.org	Used in WLAN inter-working, specifically as a realm in the Alternative NAI. Its purpose is to enable the UE to retrieve a list of PLMNs behind a WLAN Access Point. See 3GPP TS 23.003 [8], section 14.6, for more information.	Neither a Service Provider, a GRX/IPX Provider nor any other entity should use this domain name. It is simply reserved to never be used!	Intentionally not resolvable by any entity.
.ipxsp.org	spn<SPN>.ipxsp.org Where <SPN> is the Service Provider Number of the Service Provider. An example is: "spn001.ipxsp.org". Further sub-domains under this are the responsibility of the owning Service Provider. However, it is	Not used in any particular service, however, can be used by any Service Provider for any service they see fit. The main intention is to provide a domain	Each Service Provider is allowed to use only SPNs that are allocated to them by ITU-T.	Domain needs to be resolvable by at least all roaming/interworking partners for the services used by this domain name.

Domain name	Sub-domain(s)	Explanation	Rules of Usage	Resolvability
	recommended to use/reserve the sub-domains defined above for the domain "mnc<MNC>.mcc<MCC>.3gppnetwork.org".	name that Service Providers without an E.212 number range allocation can use when connecting to the IPX network.		
.e164enum.net	The sub-domains of this domain name correspond to reversed ITU-T E.164 numbers (as defined in ITU-T Recommendation E.164 [37]).	Used as the domain name for ENUM queries to the GRX/IPX Carrier ENUM as defined in section 5 of the present document.	Each Service Provider is allowed to use only sub-domains relating to their subscribers. See section 5 for more information.	See section 5 for more information.
.in-addr.arpa	The sub-domains of this domain name correspond to reversed IPv4 addresses that belong to the Service Provider.	Used for reverse lookups for IPv4 addresses i.e. mapping names to IPv4 addresses. This is useful when troubleshooting inter-PLMN connections. Due to available tools being pre-configured to use this hierarchy for reverse look-ups, it would not be feasible to use any different TLD.	Each Service Provider shall populate this domain for IP addresses assigned to them only (except with permission of the actual owner).	Domain should be resolvable by at least all interworking partners/Service Providers, roaming partners and directly connected GRX/IPX Providers.
.ip6.arpa	The sub-domains of this domain name correspond to reversed IPv6 addresses that belong to the Service Provider.	Used for reverse lookups for IPv6 addresses i.e. mapping		

Domain name	Sub-domain(s)	Explanation	Rules of Usage	Resolvability
		names to IPv6 addresses. This is useful when troubleshooting inter-PLMN connections. Due to available tools using this hierarchy for reverse look-ups, it would not be feasible to use any different TLD.		
ipxnetwork.org	<p><UNIQUE-IPX-PROVIDER-ID>.ipxnetwork.org</p> <p>Where UNIQUE-IPX-PROVIDER-ID is the IPX provider company name or acronym. It is agreed amongst IPX/GRX providers and assigned on a first come – first served basis (see section 5.2) and Annex X</p> <p>Further subdomains under this are the responsibility of the owning IPX provider.</p>	<p>Used for identifying non-MNOs on the IPX network. Shall be used for identifying non MNOs in the 5G core architecture roaming</p> <p>Can also be used by any IPX Provider for any service they see fit.</p>	<p>One subdomain per IPX provider. An IPX provider shall not use two subdomains.</p>	<p>Domain needs to be resolvable by at least all roaming/ interworking partners for the services used by this domain name.</p>
ipxnetwork.org	5gc.<UNIQUE-IPX-PROVIDER-ID>.ipxnetwork.org	<p>May be used by non-MNO entities on the IPX network for 5G core roaming services they deliver. (Not on behalf of an MNO)</p> <p>These services include 5G roaming Hubs and VAS services (RVAS)</p>		<p>Domain needs to be resolvable by at least all roaming/ interworking partners for the services used by this domain name.</p>

Domain name	Sub-domain(s)	Explanation	Rules of Usage	Resolvability
ipxnetwork.org	5gc.mnc<MNC>.mcc<MCC>.<UNIQUE-IPX-PROVIDER-ID>.ipxnetwork.org	May be used by non-MNO entities on the IPX network for 5G core roaming services they deliver on behalf of an MNO as hosted SEPP service.		Domain needs to be resolvable by at least all roaming/ interworking partners for the services used by this domain name.
ipxnetwork.org	5gc.group-<text>.<UNIQUE-IPX-PROVIDER-ID>.ipxnetwork.org Where <text> shall be between 2-10 characters and follow DNS rule scheme	May be used by non-MNO entities on the IPX network for 5G core roaming service they deliver on behalf of an operator group. See NG.113 [60] for more information.		Domain needs to be resolvable by at least all roaming/ interworking partners for the services used by this domain name.
ipxnetwork.org	5gc.hub.<UNIQUE-IPX-PROVIDER-ID>.ipxnetwork.org	May be used by non-MNO entities on the IPX network for 5G core roaming service they deliver as roaming hub. See NG.113 [60] for more information.		Domain needs to be resolvable by at least all roaming/ interworking partners for the services used by this domain name.

Table 1: Definitive list of domain names owned by GSMA that are used on the GRX/IPX DNS

2.3.4 Domain names used on the Internet DNS (and owned by GSMA)

The following provides a summary of the domain names owned by GSMA that are used by Service Providers on the Internet for 3GPP specific services. For more detail about each domain name and/or sub-domain name, refer to the referenced documents.

Domain name	Sub-domain(s)	Explanation	Rules of Usage	Resolvability
pub.3gppnetwork.org	gan.mnc<MNC>.mcc<MCC>.pub.3gppnetwork.org Where <MNC> and <MCC> are the MNC and MCC of the Service Provider represented in decimal (base 10) form, with any 2 digit MNC padded out to 3 digits by inserting a zero ("0") on the beginning e.g. 15 becomes 015.	Used in the Generic Access Network for home network domain names in node identifiers. See section 4.7 and 3GPP TS 23.003 [8], section 17.3, for more information.	Each Service Provider is allowed to use only sub-domains consisting of MNC(s) and MCC(s) that are allocated to them by ITU-T and their local national numbering authority. The host names "psegw" and "pganc" under this sub-domain are reserved for special use, as detailed in 3GPP TS 23.003 [8], section 17.3	Domains need to be resolvable on the Internet.
	w-apn.mnc<MNC>.mcc<MCC>.pub.3gppnetwork.org Where <MNC> and <MCC> are the MNC and MCC of the Service Provider represented in decimal (base 10) form, with any 2 digit MNC padded out to 3 digits by inserting a zero ("0") on the beginning e.g. 15 becomes 015.	Used in WLAN inter-working for PDG addressing. See section 4.4 and 3GPP TS 23.003 [8], section 14, for more information.	Each Service Provider is allowed to use only sub-domains consisting of MNC(s) and MCC(s) that are allocated to them by ITU-T. The same rules apply for APN constructs, as defined in GSMA PRD IR.34 [12].	
	h-slp.mnc<MNC>.mcc<MCC>.pub.3gppnetwork.org Where <MNC> and <MCC> are the MNC and MCC of the Service Provider represented in decimal (base 10) form, with any 2 digit MNC	Used in the Secure User Plane Location feature for Home SUPL Location Platform addressing. See	Each Service Provider is allowed to use only sub-domains consisting of MNC(s) and MCC(s) that are allocated to them by ITU-T and their local	

Domain name	Sub-domain(s)	Explanation	Rules of Usage	Resolvability
	<p>padding out to 3 digits by inserting a zero ("0") on the beginning e.g. 15 becomes 015.</p>	<p>section 4.8 and OMA-AD-SUPL-V1_0-20070615-A [27] section 7.2.2, for more information.</p>	<p>national numbering authority.</p>	
	<p>bsf.mnc<MNC>.mcc<MCC>.pub.3gppnetwork.org</p> <p>Where <MNC> and <MCC> are the MNC and MCC of the Service Provider represented in decimal (base 10) form, with any 2 digit MNC padded out to 3 digits by inserting a zero ("0") on the beginning e.g. 15 becomes 015.</p>	<p>Used in the Generic Authentication Architecture for BSF addressing when USIM is used in bootstrapping. See section 4.6 and 3GPP TS 23.003 [8], section 16, for more information.</p>		
	<p>andsf.mnc<MNC>.mcc<MCC>.pub.3gppnetwork.org</p> <p>Where <MNC> and <MCC> are the MNC and MCC of the Service Provider represented in decimal (base 10) form, with any 2 digit MNC padded out to 3 digits by inserting a zero ("0") on the beginning e.g. 15 becomes 015.</p>	<p>Used in EPC and WLAN inter working (3GPP Rel.8) home agent addressing. See 3GPP TS 23.003 [8], section 21, for more information.</p>		
	<p>ha-apn.mnc<MNC>.mcc<MCC>.pub.3gppnetwork.org</p> <p>Where <MNC> and <MCC> are the MNC and MCC of the Service Provider represented in decimal (base 10) form, with any 2 digit MNC</p>		<p>Each Service Provider is allowed to use only sub-domains consisting of MNC(s) and MCC(s) that are allocated to them by ITU T. The same rules apply for APN constructs,</p>	

Domain name	Sub-domain(s)	Explanation	Rules of Usage	Resolvability
	<p> padded out to 3 digits by inserting a zero ("0") on the beginning e.g. 15 becomes 015.</p>		as defined in GSMA PRD IR.34 [12].	
	<p>bcast.mnc<MNC>.mcc<MCC>.pub.3gppnetwork.org</p> <p>Where <MNC> and <MCC> are the MNC and MCC of the Service Provider represented in decimal (base 10) form, with any 2 digit MNC padded out to 3 digits by inserting a zero ("0") on the beginning e.g. 15 becomes 015.</p>	<p>Used in the OMA Mobile Broadcast Services (BCAST) enabler, version 1.1, for Service Guide discovery by a client with access to an IMSI. See section 4.12 and OMA-TS-BCAST_Service_Guide-V1_1-20100111-D [40] for more information.</p>	<p>Each Service Provider is allowed to use only sub-domains consisting of MNC(s) and MCC(s) that are allocated to them by ITU-T and their local national numbering authority.</p>	
	<p>rcs.mnc<MNC>.mcc<MCC>.pub.3gppnetwork.org</p> <p>Where <MNC> and <MCC> are the MNC and MCC of the Service Provider represented in decimal (base 10) form, with any two (2) digit MNC padded out to three (3) digits by inserting a zero ("0") on the beginning for example 15 becomes 015.</p>	<p>Used for the RCS/RCS-e service.</p> <p>RCS/RCS-e service may use further subdomain names depending on the RCS/RCS-e service evaluation and developments (for example config.rcs.mnc</p>	<p>Each Service Provider is allowed to use only sub-domains consisting of MNC(s) and MCC(s) that are allocated to them by ITU-T and their local national numbering authority.</p>	

Domain name	Sub-domain(s)	Explanation	Rules of Usage	Resolvability
		<p><MNC>.mcc<MCC>.pub.3gppnetwork.org). The description and the use of the subdomain names will be referenced in the RCS/RCS-e specifications where this domain can be used by all RCS/RCS-e versions.</p>		
	<p>bsf.ims.mnc<MNC>.mcc<MCC>.pub.3gppnetwork.org</p> <p>Where <MNC> and <MCC> are the MNC and MCC of the Service Provider represented in decimal (base 10) form, with any 2 digit MNC padded out to 3 digits by inserting a zero ("0") on the beginning e.g. 15 becomes 015.</p>	<p>Used in the Generic Authentication Architecture for BSF addressing when ISIM is used in bootstrapping. See section 4.6 and 3GPP TS 23.003 [8], section 16, for more information.</p>	<p>Each Service Provider is allowed to use only sub-domains consisting of MNC(s) and MCC(s) that are allocated to them by ITU-T and their local national numbering authority.</p>	
	<p>xcap.ims.mnc<MNC>.mcc<MCC>.pub.3gppnetwork.org</p> <p>Where <MNC> and <MCC> are the MNC and MCC of the Service Provider represented in decimal (base 10) form, with any 2 digit MNC</p>	<p>Used in supplementary service configuration using XCAP as specified in IR.92 [46]. Also see section 4.13</p>	<p>Each Service Provider is allowed to use only sub-domains consisting of MNC(s) and MCC(s) that are allocated to them by ITU-T and their local</p>	

Domain name	Sub-domain(s)	Explanation	Rules of Usage	Resolvability
	<p>padding out to 3 digits by inserting a zero ("0") on the beginning e.g. 15 becomes 015.</p>	<p>and 3GPP TS 23.003 [8], section 13.9, for more information.</p>	<p>national numbering authority.</p>	
	<p>epdg.epc.mnc<MNC>.mcc<MCC>.pub.3gppnetwork.org</p> <p>Where <MNC> and <MCC> are the MNC and MCC of the Service Provider represented in decimal (base 10) form, with any 2 digit MNC padded out to 3 digits by inserting a zero ("0") on the beginning e.g. 15 becomes 015.</p>	<p>Used in inter-working untrusted non-3GPP access network to EPC. See section 4.15 and 3GPP TS 23.003 [8], section 19.4.2.9, for more information.</p>	<p>Each Service Provider is allowed to use only sub-domains consisting of MNC(s) and MCC(s) that are allocated to them by ITU-T and their local national numbering</p>	
	<p>mbmsbs.mnc<MNC>.mcc<MCC>.pub.3gppnetwork.org</p> <p>Where <MNC> and <MCC> are the MNC and MCC of the Service Provider represented in decimal (base 10) form, with any 2 digit MNC padded out to 3 digits by inserting a zero ("0") on the beginning e.g. 15 becomes 015.</p>	<p>Used by a UE for MBMS Service Announcement Bootstrap. See section 4.18 and 3GPP TS 23.003 [8], section 15.5, for more information.</p>	<p>Each Service Provider is allowed to use only sub-domains consisting of MNC(s) and MCC(s) that are allocated to them by ITU-T and their local national numbering</p>	
	<p>aes.mnc<MNC>.mcc<MCC>.pub.3gppnetwork.org</p> <p>Where <MNC> and <MCC> are the MNC and MCC of the Service Provider represented in decimal (base 10) form, with any 2 digit MNC padded out to 3 digits by inserting a zero ("0") on the beginning e.g. 15 becomes 015.</p>	<p>Used by a UE for Entitlement configuration. See section 2.1. of GSMA TS.43 [63], for more information.</p>	<p>Each Service Provider is allowed to use only sub-domains consisting of MNC(s) and MCC(s) that are allocated to them by ITU-T and their local national numbering</p>	

Domain name	Sub-domain(s)	Explanation	Rules of Usage	Resolvability
	<p>cert.5gc.mnc<MNC>.mcc<MCC>.pub.3gppnetwork.org</p> <p>Where <MNC> and <MCC> are the MNC and MCC of the Service Provider represented in decimal (base 10) form, with any 2 digit MNC padded out to 3 digits by inserting a zero ("0") on the beginning e.g. 15 becomes 015.</p>	<p>Used by the 5G NF TLS Client and Server Certificate profile for Domain name associated to CRL Distribution Point and Authority Info Access associated to Service Provider. See section 6.1.3c.3. of 3GPP TS 33.310 [64], for more information.</p>	<p>Each Service Provider is allowed to use only sub-domains consisting of MNC(s) and MCC(s) that are allocated to them by ITU-T and their local national numbering</p>	
	<p>epdg.epc.mcc<MCC>.visited-country.pub.3gppnetwork.org</p> <p>Where <MCC> is the MCC of the country in which the UE is located represented in decimal (base 10) form.</p>	<p>Used by a roaming UE to determine whether visited country mandates the selection of an ePDG in this country. See 3GPP TS 23.003 [8], section 19.4.2.9.3 for more information.</p>	<p>Details of usage is defined in Release 13 version of 3GPP TS 23.402 [29], section 4.5.4.5.</p>	
	<p>wlan.mnc<MNC>.mcc<MCC>.pub.3gppnetwork.org</p> <p>Where <MNC> and <MCC> are the MNC and MCC of the Service Provider represented in</p>	<p>Used by a WLAN access network that is not connected to the GSMA inter-PLMN backbone to</p>	<p>Each Service Provider is allowed to use only sub-domains consisting of MNC(s) and MCC(s) that are allocated to them by</p>	

Domain name	Sub-domain(s)	Explanation	Rules of Usage	Resolvability
	decimal (base 10) form, with any 2-digit MNC padded out to 3 digits by inserting a zero ("0") on the beginning e.g. 15 becomes	reach the HPMN of the served user. Used in the Open Roaming standard as defined by the Wireless Broadband Alliance (WBA	ITU-T and their local national numbering	

Table 2: Definitive list of domain names owned by GSMA that are used on the Internet DNS

2.3.5 Domain names used on the GRX/IPX DNS for UNI

Only the domain name "ipxuni.3gppnetwork.org" is defined for domain names of this type (see 3GPP TS 23.003 [8]). However, there are currently no sub-domains reserved under this domain name.

2.4 Non-service specific hostnames and domains

Having a consistent naming convention makes it easier for tracing and troubleshooting as well as easing the maintenance of Service Provider's DNS. The following convention is recommended to achieve these goals. Although the usage of this naming methodology is highly recommended, it is not mandated.

Service Provider nodes should have names for each interface with the following format:

<city>-<type>-<nbr>

where:

- <city> is the name, or shortened name, of the city/town (or closest, where applicable) where the node is located
- <nbr> is a running number of similar devices at the same city (for DNS servers, use 0 to indicate the primary DNS Server)
- <type> describes device type and should be one of the following for GRX/IPX connected hosts:
 - dns - DNS servers
 - ggsn
 - sgsn
 - rtr - router
 - fw - firewall

Additional values for the <type> parameter are for further study for the GRX/IPX. For example, the following are valid hostnames for interfaces on Service Provider nodes:

- helsinki-ggsn-4

The domain name to append to hostnames for nodes belonging to Service Providers should be the following (see section 2.3 for more details on the domain name formats):

- node.mnc<MNC>.mcc<MCC>.3gppnetwork.org
- node.spn< SPN>.ipxsp.org

A combination of the above domain names could be used by a Service Provider; however, for consistency it is better to use only one.

The following are thus example Fully Qualified Domain Names (FQDNs) for interfaces on Service Provider nodes:

- helsinki-ggsn-4.node.mnc015.mcc234.3gppnetwork.org
- london-dns-23.node.spn001.ipxsp.org

Note that usage of the hostnames and sub-domains specified within this section under "mnc<MNC>.mcc<MCC>.gprs" is now deprecated, and Service Providers are recommended to use either of "mnc<MNC>.mcc<MCC>.3gppnetwork.org" or "spn<SPN>.ipxsp.org" domains at their earliest convenience. Of course, usage of "mnc<MNC>.mcc<MCC>.gprs" for the uses as stated in section 2.3.3, is *not* deprecated and should continue as per normal.

2.5 Host names for the evolved packet Core (EPC)

The naming of Nodes for the Evolved Packet Core is specified in clause 19 of 3GPP TS 23.003 [8]

2.6 Host names for the IP Multimedia Subsystem (IMS)

Within the IP Multimedia Subsystem (IMS) the following Naming Convention for IMS Nodes shall be used <Node name>. <SP Domain Name>, where

- <Node name> may consist of one or more labels that uniquely identifies the IMS node within the Service Provider network.
- To avoid conflicts with future other subdomains to the <SP Domain Name> it can be considered good practice to include ".node" as the right-most label of the <Node Name>
- <SP Domain Name> is a Domain Name that is owned by the Service provider.
- "ims.mnc<MNC>.mcc<MCC>.3gppnetwork.org" is the recommended <SP Domain Name> for all IMS Nodes.

"ims.mnc<MNC>.mcc<MCC>.3gppnetwork.org" must be used as <SP Domain Name> for IMS Nodes that are individually addressable over the IPX network by SIP or any other protocol, and where those Node Names need to be resolved over the IPX DNS system.

Examples of IMS nodes that may need to be individually addressable, are all nodes that are addressed using a SIP Route Header, such as the nodes hosting the functionalities of a P-CSCF, S-CSCF, TRF, ATCF, and eMSC-S for I2.

3 General DNS Configuration for Service Providers

3.1 Introduction

This section gives some general information on DNS server configuration for operators. For information on configuring DNS servers for specific services, see sections 4 and 5.

3.2 DNS Server Hardware

It is recommended that operators have physically separate Primary and Secondary DNS servers. This helps provide the greatest service availability and allows for e.g. upgrading DNS Servers without any service interruption.

3.3 DNS Server Software

Most commonly ISC BIND (usually version 4 or version 9) is the chosen software supplied by equipment vendors with any new service equipment that utilises a DNS Nameserver. Service Providers and IPX Providers should ensure that only the most secure version is used in their live networks, and all security patches are applied. Note that no particular

version of BIND is recommended, because to do so here would provide potentially out of date information to the reader.

Use of ISC BIND is fine for services which do not necessarily have a large data-file (for example: GPRS, MMS).

Such commercial DNS Nameserver solutions can also support legacy DNS data-file (for example, that used for GPRS roaming), thereby consolidating all operator DNS needs. Note that it is out of the scope of this document, and the GSMA, to provide any recommendations on commercial DNS Nameservers. In fact, diversity of DNS software used by Service Providers and IPX Providers gives a better overall robustness of the DNS on GRX/IPX network.

3.4 DNS Server naming

All DNS servers need to have an FQDN assigned to them. For Service Provider DNS servers connected to the GRX/IPX, the naming conventions as specified in section 2.4 shall be used.

3.5 Domain Caching

Since each service (e.g. GPRS, MMS etc.) has its own domain, a separate TTL value can be set per service.

When setting the TTL value for a zone, careful consideration must be taken to ensure that the right trade-off is made between performance and consistency. A small TTL value results in a greater signalling overhead, greater processing overhead for the authoritative name server(s) and greater time for a returning a result (an example: GPRS PDP Context set-up time), but the data will be more up-to-date therefore allowing updates to propagate much more quickly. A large TTL value results in a smaller signalling overhead, smaller processor overhead for the authoritative name server(s) and usually shorter time for returning a result to the requesting entity, but the data will be more likely to be out of date and therefore resulting in updates taking longer to propagate.

It is highly recommended that negative caching is also used (available in ISC BIND versions 4.9, 8.x and 9.x and should be available in most commercial DNS solutions). Again, careful consideration should be taken, considering factors such as the frequency of updates, signalling overhead and processing overhead of the authoritative DNS server for the domain.

DNS unavailability can significantly increase data signalling traffic, potentially leading to a signalling storm that disrupts all services by saturating signalling links. To prevent this, the configuration of Network Elements (NEs) reliant on DNS queries must be carefully designed for resilience against temporary outages. A best practice is to enable these NEs to use the most recent cached DNS response, even if they are expired, whenever queries to the live DNS server fail.

3.6 Reverse Mapping

Each operator is strongly recommended to provide PTR (Pointer) records for all IP addresses that FQDNs refer to, for example for APNs, MMSC addresses and so on. This is not needed for inter-working to be successful, but rather, is recommended as it aids in trouble shooting/debugging activities such as performing a "traceroute".

Reverse mapping for IPv4 addressing uses the "in-addr.arpa" domain, and reverse mapping for IPv6 addressing uses "ip6.arpa". See section 2.3.3 for more information.

3.7 Use of DNS Interrogation Modes

Two interrogation modes are defined in the DNS specifications: iterative and recursive.

In Iterative mode, a DNS server interrogates each DNS server in the hierarchy itself, in order to resolve the requested domain name. In Recursive Mode, a DNS server interrogates only the next DNS server in the DNS hierarchy. That DNS Server then takes on responsibility for resolving the requested domain name and provides a final answer back to the original requesting DNS server. Figure 6 below depicts both iterative and recursive queries:

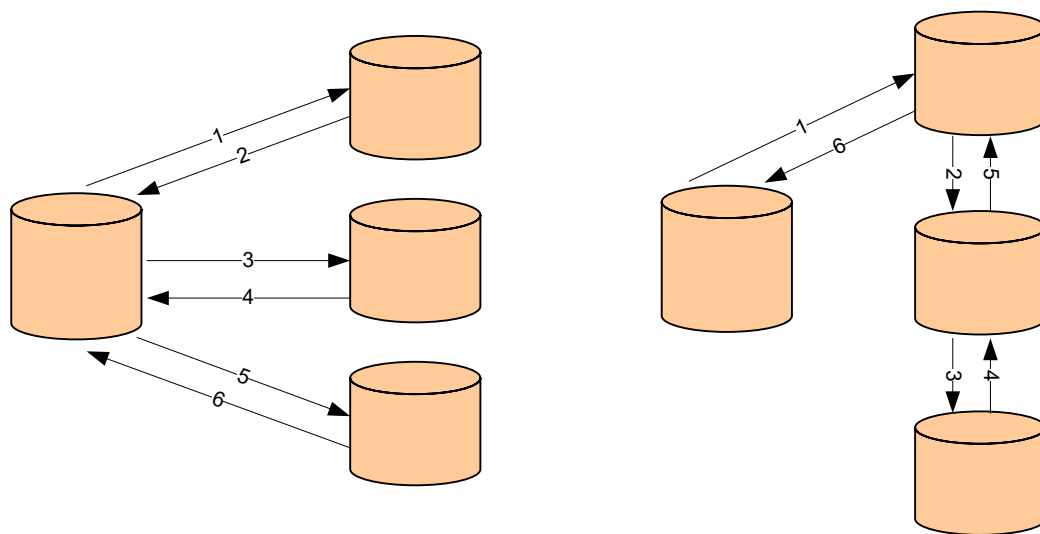


Figure 6: Iterative (left) and Recursive (Right) modes of DNS querying

In non-service aware IPX (Example: GRX), only Iterative DNS queries shall be used within the GRX/IPX. This not only saves on DNS Server load but also to enables visibility of the source of the original request at the destination, which is lost when using recursive queries.

If any recursive DNS queries are received by a DNS Server, then they should be ignored. The only elements that should issue recursive DNS queries are service nodes issuing DNS requests to their Local Caching DNS Servers e.g. an SGSN querying its Local Caching DNS Server for an APN (see section 4.2 for more information on GPRS, including APN resolution).

3.8 Use of the GRX/IPX Root DNS Server

There are two possibilities to arrange DNS hierarchy. The first is for each Service Provider to configure their own authoritative DNS Server for each domain name that needs to be resolved for all inter-working and roaming partner Service Providers. The draw-back of this approach is that it is not scalable because every time a new inter-working and/or roaming partner agreement is made, or even any existing inter-working and/or roaming partner's DNS Server details change, the aforementioned authoritative DNS Server must be updated accordingly. Thus, this could be a potential operational intensive task, and most likely a

frequent source for inter-working and roaming problems. This alternative may be fine for small Service Providers with few interworking and/or roaming partners, but is not recommended due to the reasons stated. Therefore, this alternative is not further detailed in the present document.

Another alternative is to use the common GRX/IPX Root DNS Server, as provided for by the GRX/IPX service provider (see section 2.2 for more detail on this architecture). Using the GRX/IPX Root DNS Server enables modified DNS Server details for a Service Provider to automatically propagate to all interworking and roaming partners (subject to caching time). This alternative is the recommended one, and is thus the assumed deployment of authoritative DNS Servers in the rest of the present document.

3.9 Provisioning of Service Provider's DNS servers

Service Providers should take care to share all appropriate data to enable all roaming/inter-working partners routing to an authoritative DNS Server, that is a DNS Server where their own domain names can be resolved by others. GSMA PRD IR.21 (PRD or GSMA MG database) and the GRX/IPX Root DNS should be used to ease such sharing of data, wherever possible.

Service Providers can provision authoritative DNS Servers themselves or outsource to another entity for example their GRX/IPX Provider.

Service providers may have all appropriate data available in a single level of authoritative DNS servers, where each authoritative DNS server holds all the appropriate data for the Service Provider.

Alternatively, Service Providers may choose to divide the appropriate data between a First Level Authoritative DNS Servers and 2nd Level Authoritative DNS Servers whereby each 2nd-level Authoritative DNS server only holds a subset of the appropriate data for the Service provider.

When information about DNS servers is exchanged with the GRX/IPX Root DNS and other Service Providers for example via GSMA PRD IR.21, and when 2nd-Level Authoritative DNS server is used, it is essential to make a clear distinction between the First Level Authoritative DNS servers and 2nd-Level Authoritative DNS servers. This is to ensure that only First Level Authoritative DNS server is published in the GRX/IPX Root DNS such that the first query to an Operators DNS always goes the First Level Authoritative DNS and that the second level DNS servers are reached only by means of referrals from the First Level Authoritative DNS server.

3.10 Resource Records

Service Providers and IPX Providers should take care to provision only the DNS Resource Records (RRs) that are necessary for service interworking, trouble shooting and O&M (Operations & Maintenance).

3.11 Support for IPv4 and IPv6

Support for IPv4 and IPv6 on Service Provider DNS Nameservers is twofold: the ability to serve data relating to IPv4 and IPv6 addresses, and connectivity to/from the nameserver.

For configuration information in a Nameserver, both IPv4 and IPv6 information can coexist together. Service Providers just need to ensure that the Nameserver software used is capable of supporting the relevant Resource Records (RR) required. The "A" RR is used to hold IPv4 address information and the "AAAA" RR for IPv6 address information. Details on reverse mapping (IPv4/IPv6 address to domain name) are specified in section 3.6.

For connectivity to a Nameserver, it is highly recommended that all Service Provider Nameservers be reachable using IPv4. Any Nameservers serving IPv6 information should also be reachable using IPv6.

See GSMA PRD IR.34 [12] and GSMA PRD IR.40 [42] for more information on recommendations relating to IPv4 and IPv6 routing and addressing.

4 DNS Aspects for Standardised Services

4.1 Introduction

This section describes the DNS aspects of standardised services that utilise DNS. Recommendations are made, where appropriate, beyond what is defined in the referenced specifications in order to promote easier service interworking for Service Providers. The list of services below is not exhaustive and other services that utilise DNS on the GRX/IPX can be used.

If there are discrepancies between the description of the services and the referenced specifications in the following sub-sections, what is stated in the referenced specifications shall prevail.

4.2 General Packet Radio Service (GPRS)

4.2.1 Introduction

GPRS provides for a packet switched bearer in GSM/UMTS networks. Packets are tunnelled between core network nodes that may or may not be in different PLMNs, using the GPRS Tunnelling Protocol (GTP) as defined in 3GPP TS 29.060 [26].

Note that in UMTS, GPRS is referred to as "Packet Switched" access, however, this is just a naming convention, and the mechanism remains the same.

For more information on GPRS/Packet Switched access, see GSMA PRD IR.33 [39], 3GPP TS 23.060 [23], and 3GPP TS 29.060 [26].

4.2.2 APN resolution in PDP Context activation

PDP Context activations occur between the SGSN and the GGSN. PDP Contexts are activated to an Access Point Name either provided by the MS, or derived by the network (such as when the MS instructs the SGSN to use a "default" APN). It is the APN that determines to which interface on which GGSN the PDP Context is to be established. See section 2.3 for the format of APNs. Further details on the APN can be found in GSMA PRD IR.33 [39].

An SGSN and a GGSN can be located in either the HPLMN or VPLMN. Both are in the same network when the subscriber is in the HPLMN and also when the subscriber is

roaming in a VPLMN and is using a GGSN in the VPLMN (vGGSN). However, the SGSN and GGSN are in different networks when the subscriber is roaming but using a GGSN in the HPLMN (hGGSN).

GPRS roaming means the extension of packet switched services offered in the Home PLMN to Visited PLMNs with which the HPLMN has a predefined commercial roaming agreement.

The necessary DNS queries for resolving an APN in order to activate a PDP Context are described below. Note that the Authoritative DNS Server is usually located in the same PLMN as the GGSN, but can be located elsewhere, for example, in the HPLMN's GRX/IPX provider's network (due to the HPLMN outsourcing the Authoritative DNS Server).

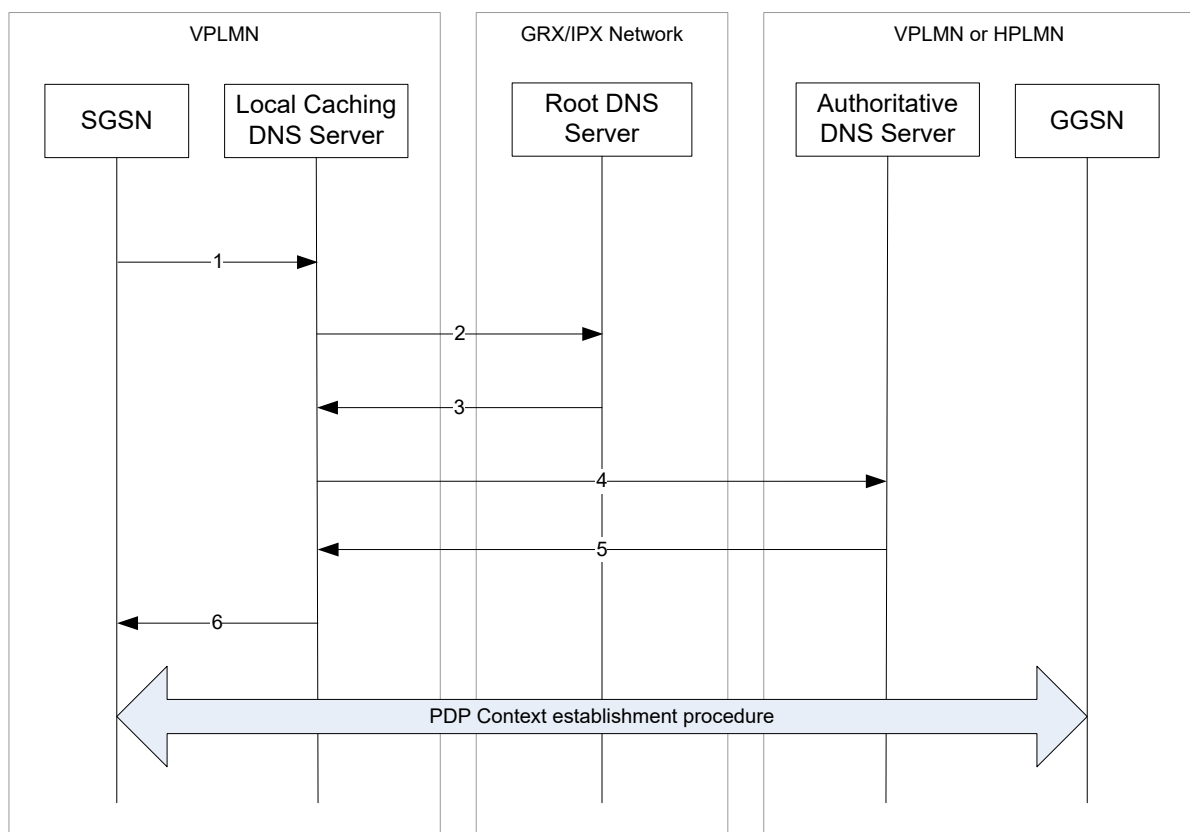


Figure 7: DNS message flow for PDP Context activations

1. Upon receiving a "PDP Context Activation" message from the MS, the SGSN checks the APN (if one was provided) against the user subscription record it previously obtained from the HLR when the MS attached, and then sends a recursive DNS Query to the DNS Local Caching DNS server.
2. The Local Caching DNS Server checks its local cache for the IP address of the requested FQDN. If it has this, processing skips to step 6. Otherwise, the Local Caching DNS Server checks its local cache for the IP address of the Authoritative DNS Server. If it does not already have this IP address, it then issues an iterative DNS Query to the Root DNS Server otherwise, processing skips to step 4.
3. The Root DNS Server replies to the DNS Query received from the Local Caching DNS with the details of the Authoritative DNS Server (for example, the FQDN and/or IP address(es)).

4. The Local Caching DNS Server sends an iterative DNS Query to the Authoritative DNS Server (which will reside in the VPLMN, for vGGSN connection, and will reside in the HPLMN for hGGSN connection).
5. The Authoritative DNS Server replies to DNS Query received from the Local Caching DNS Server with the IP address of the GGSN.

The Local Caching DNS Server replies to the DNS Query received from the SGSN (in step 1) with the result obtained from the Authoritative DNS Server. The SGSN then commences GTP tunnel establishment and, all being well, data flow starts.

As can be seen in the above steps, there are less DNS queries for a subscriber using a GGSN in the VPLMN as the Root DNS Server is not interrogated.

Note also that the Local Caching DNS Server could also be the Authoritative DNS Server for the requested FQDN, in which case a final result can be given immediately to the SGSN.

4.2.3 Inter-SGSN handovers for active PDP Contexts

When an MS has one or more PDP Contexts activated and moves to a new Routing Area that is serviced by a new SGSN, the new SGSN needs to connect to the old SGSN in order to download the PDP Context information and any data that is still to be delivered to the MS. It can do this by either using a mapping table which has SGSN addresses against a finite set of Routing Areas, or it can translate the old Routing Area Code (as received from the MS) into a FQDN upon which to resolve to an IP address using DNS.

The former method is most commonly used for intra-PLMN SGSN handovers, and the latter is used for inter-PLMN SGSN handovers. However, both methods can be used for both types of handovers.

The latter of the two aforementioned methods is depicted below for inter- and intra-PLMN SGSN handovers. The FQDN created by the SGSN depends upon whether the SGSN handover is a Routing Area Update, Routing Area Update in a network which has Intra Domain Connection of RAN Nodes to Multiple CN Nodes or is an SRNS Relocation (see 3GPP TS 23.060 [23], section 6.9, for more information).

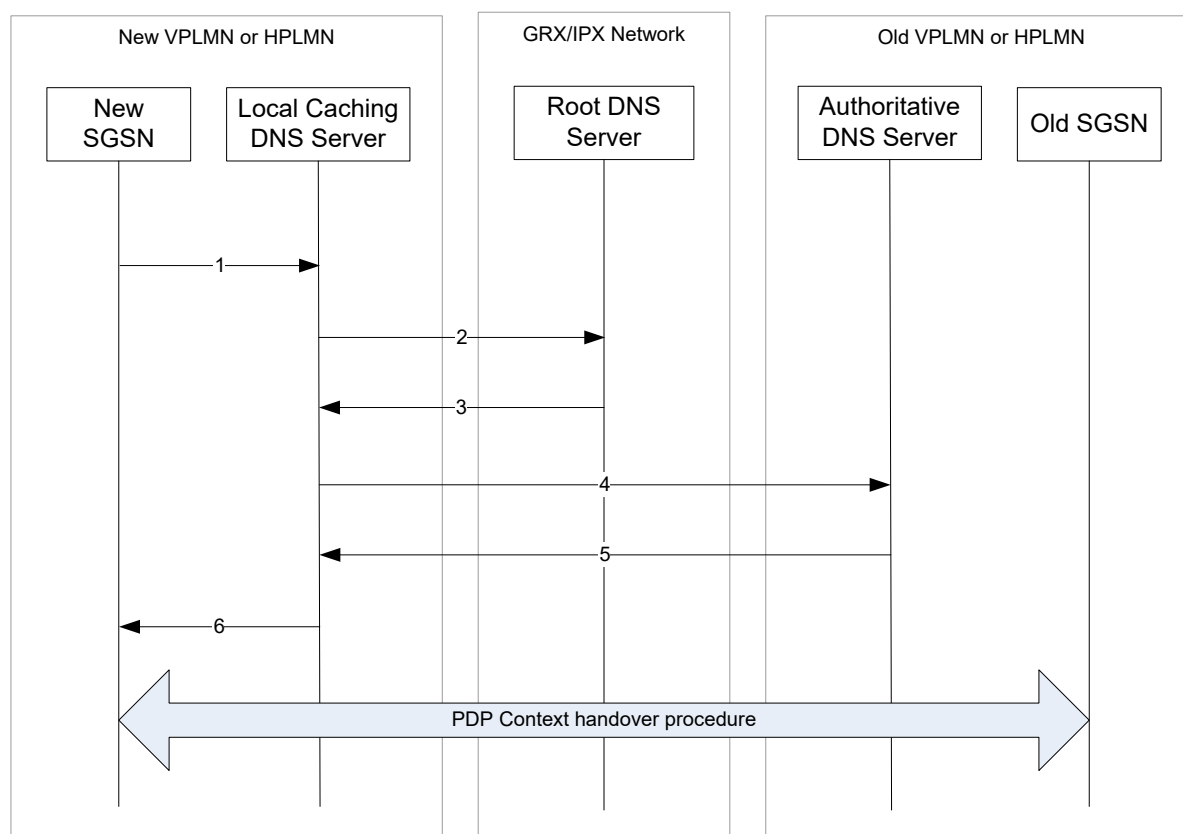


Figure 8: DNS message flow for PDP Context handovers between SGSNs

1. The new SGSN creates an FQDN using the old Routing Area Code (and the Network Resource Identifier, if available) or the old RNC ID and then issues a recursive DNS Query to the DNS server address configured in the SGSN (Local Caching DNS server).
2. The Local Caching DNS Server checks its local cache for the IP address of the requested FQDN. If it has this, processing skips to step 6. Otherwise, the Local Caching DNS Server checks its local cache for the IP address of the Authoritative DNS Server. If it does not already have this IP address, it then issues an iterative DNS Query to the Root DNS Server, otherwise, processing skips to step 4.
3. The Root DNS Server replies to the DNS Query received from the Local Caching DNS Server with the details of the Authoritative DNS Server (for example, the FQDN and/or IP address(es)).
4. The Local Caching DNS Server sends an iterative DNS Query to the Authoritative DNS Server (which will reside in the VPLMN, for inter-PLMN handover, and will reside in the HPLMN for intra-PLMN handover).
5. The Authoritative DNS Server replies to DNS Query received from the Local Caching DNS Server with the IP address of the old SGSN.
6. The Local Caching DNS Server replies to the DNS Query received from the SGSN (in step 1) with the result obtained from the Authoritative DNS Server. The New SGSN then commences handover with the Old SGSN.

As can be seen in the above steps, there are less DNS queries for an intra-PLMN SGSN handover as the Root DNS Server is not interrogated.

Note also that the Local Caching DNS Server could also be the Authoritative DNS Server for the requested FQDN, in which case a final result can be given immediately to the New SGSN.

4.3 Multi-media Messaging Service (MMS)

4.3.1 Introduction

MMS inter-working is where a subscriber of one operator has the ability to send and receive Multimedia Messages (MMs) to and from a subscriber of another operator. Unlike SMS inter-working, the MM is always sent to the user via his "home" service centre. This means that in all MMS inter-working scenarios, the MM is always transferred from the source operator's MMSC to the destination operator's MMSC. Thus, MMS interworking requires use of a standardised inter-MMSC protocol. This protocol is defined as SMTP (defined in IETF RFC 2821[13]) as profiled in the MMS specification 3GPP TS 23.140 [15].

DNS is used in MMS in order for the source MMSC to resolve the destination MMSC/SMTP server. DNS MX Resource Records, as defined in IETF RFC 1035 [2], are required for SMTP based Multimedia Message routing and relaying. It should be noted that GSMA PRD IR.34 [12] recommends that the ".gprs" TLD should be used when utilising the GRX/IPX network as the interworking network between MMSCs. This format of FQDN, including allowed sub-domains, is defined in section 2.3 of the present document.

The selection of a DNS tree/hierarchy to use (e.g. Internet or GRX/IPX) ultimately depends on the interconnection network used. The interconnection network used can in turn depend on where the MM is to be sent e.g. Internet for when delivering to an e-mail user, GRX/IPX network for when delivering to another MMS subscriber. Thus, the resolution process may differ depending on whether the MM is addressed to an MSISDN/E.164 number or to an NAI/e-mail address.

There are also different commercial models for MMS inter-working between Operators. These are essentially the "Direct Interconnect" model, where MMs are sent from Operator A to Operator B directly, and the "Indirect Interconnect Model", where MMs are sent from Operator A to an MMS Hub (and the MMS Hub then takes care of delivering the MM to Operator B).

More information on MMS interworking can be found in GSMA PRD IR.52 [9].

4.3.2 MM delivery based on MSISDN for the Direct Interconnect model

The following figure and associated numbered steps describe the direct interconnect only scenario for MMS inter-working of MMs addressed to an MSISDN/E.164 number:

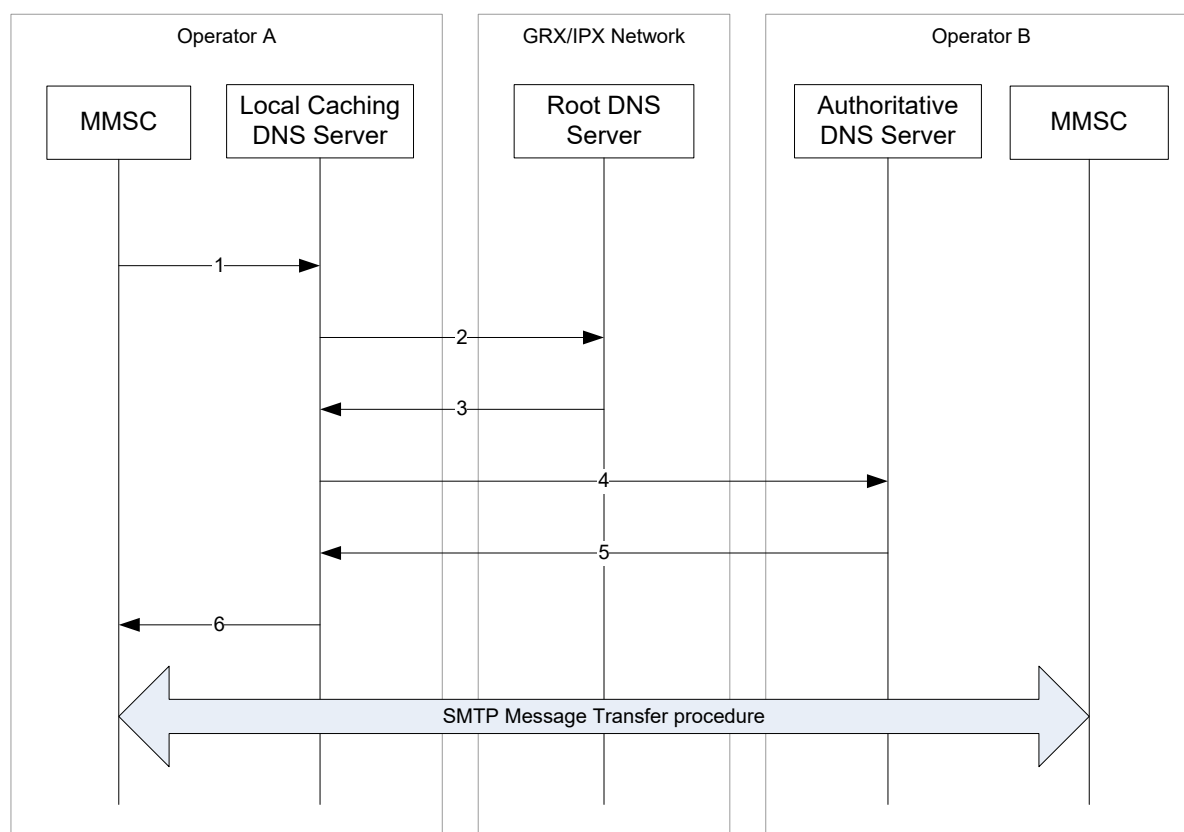


Figure 9: MMS Direct Inter-network Delivery

1. Upon receiving a Multimedia Message (MM) from the MS, the MMSC converts the destination MSISDN to an MMS FQDN (commonly of the form "mms.mnc<MNC>.mcc<MCC>.gprs") by using one of the following methods:

An HLR look-up using e.g. the MAP_SRI_For_SM operation. This returns the IMSI, of which the MNC and MCC are extracted to create the MMS FQDN.

2. The MMSC then sends a recursive DNS query for the derived FQDN to the Local Caching DNS Server.
3. The Local Caching DNS Server checks its local cache for the IP address of the requested FQDN. If it has this, processing skips to step 6. Otherwise, the Local Caching DNS Server checks its local cache for the IP address of the Authoritative DNS Server. If it does not already have this IP address, it then issues an iterative DNS Query to the Root DNS Server, otherwise processing skips to step 4.
4. The Root DNS Server replies to the DNS Query received from the Local Caching DNS Server with the details of the Authoritative DNS Server (for example, the FQDN and/or IP address(es)).
5. The Local Caching DNS Server sends an iterative DNS Query to the Authoritative DNS Server.
6. The Authoritative DNS Server replies to the DNS Query received from the Local Caching DNS Server with the IP address of the MMSC, or a list of FQDNs and/or IP addresses if the query was for an MX record.

- The Local Caching DNS Server replies to the DNS Query received from the MMSC (in step 1) with the result obtained from the Authoritative DNS Server. The MMSC then commences an SMTP session with Operator B's MMSC to transfer the MM.

Note: The Local Caching DNS Server could also be the Authoritative DNS Server for the requested FQDN, in which case a final result can be given immediately to the MMSC.

4.3.3 MM delivery based on MSISDN for the Indirect Interconnect model

The following figure and associated numbered steps describe the MMS hub model of interconnect for MMS inter-working of MMs addressed to an MSISDN/E.164 number:

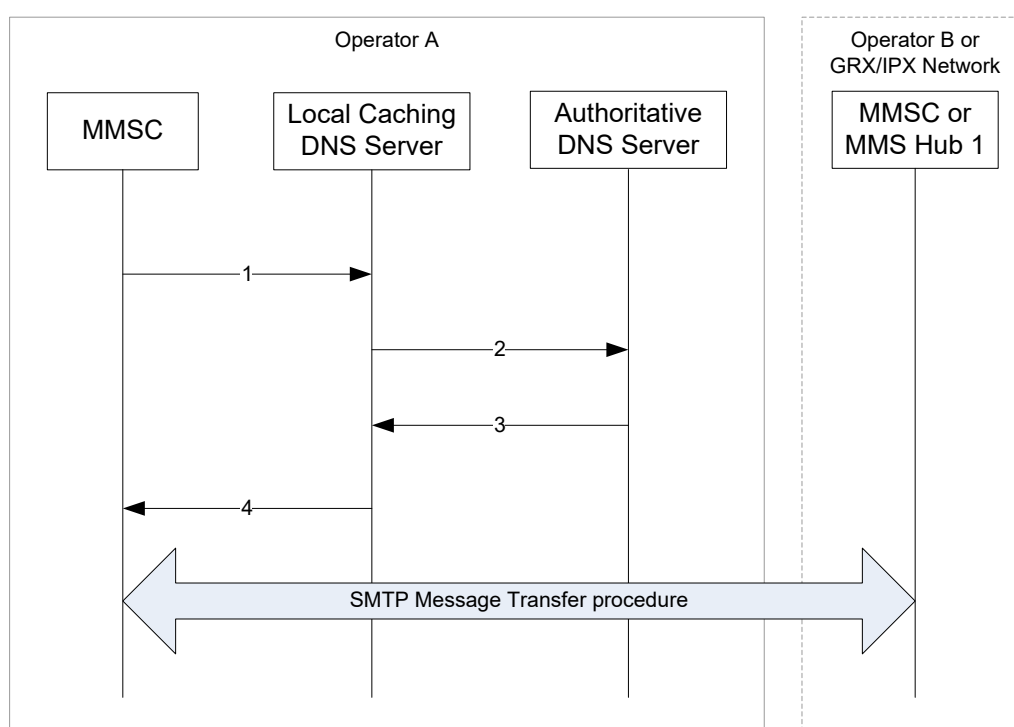


Figure 10: MMS Inter-operator Delivery

- Upon receiving a Multimedia Message (MM) from the MS, the MMSC converts the destination MSISDN to an MMS FQDN (commonly of the form "mms.mnc<MNC>.mcc<MCC>.gprs") by using one of the following methods:
 - An HLR look-up using e.g. the MAP_SRI_For_SM operation. This returns the IMSI, of which the MNC and MCC are extracted to create the MMS FQDN.

The MMSC then sends a recursive DNS query for the derived FQDN to the Local Caching DNS Server.

- The Local Caching DNS Server checks its local cache for the IP address of the requested FQDN. If it has this, processing skips to step 4. Otherwise, the Local Caching DNS Server checks its local cache for the IP address of the Authoritative DNS Server. In this model, the Authoritative DNS Server is always known.
- The Authoritative DNS Server replies to the DNS Query received from the Local Caching DNS Server with either the IP address of the MMS Hub to use or the

destination MMSC, or a list of FQDNs and/or IP addresses if the query was for an MX record.

4. The Local Caching DNS Server replies to the DNS Query received from the MMSC (in step 1) with the result obtained from the Authoritative DNS Server. The MMSC then commences an SMTP session either with Operator B's MMSC, or, to an identified MMS Hub, to transfer the MM.

Note that there is more flexibility in the MMS Hub architecture than shown above, depending on the MMS Hub provider used e.g. some Hub providers offer MSISDN/E.164 number conversion/resolving, some offer complete hosting of the MMSC, and so on. See GSMA PRD IR.52 [9] for more information on MM delivery using an MMS Hub, including a fuller description of the flexibility available in the architecture.

Note also that the Local Caching DNS Server could also be the Authoritative DNS Server for the requested FQDN, in which case a final result can be given immediately to the MMSC.

4.3.4 MM delivery based on NAI/e-mail address

For MMs addressed to an NAI/e-mail address (as defined in IETF RFC 2822 [14]), the message flow is the same as in Figure 7 except that the Internet's root DNS servers and authoritative DNS servers are used, possibly with the use of referral DNS servers too.

4.4 WLAN Inter-working

4.4.1 Introduction

Figure 9 shows how local login and roaming login differ; it also demonstrates how Roaming Partners actually connect to each other via inter-operator network. Case 1 is an example of normal local login in the hot spot of Visited PLMN, where the user inserts his username & password and is authenticated in the Visited PLMN. In this case, the RADIUS Roaming Network is not utilised.

Case 2 in Figure 9 refers to a roaming login, where the user inserts his username (with realm) and password in the hot spot of the Visited PLMN and authentication and request are sent by way of a proxy to Home PLMN. The User is then authenticated in the Home PLMN. Necessary RADIUS messages are transferred between RADIUS Roaming Proxies using the IP based Inter-PLMN network, that is, the GRX/IPX.

Figure 9 shows also in principle the difference between the following two authentication methods:

- Web Based Authentication
- SIM Based Authentication

Web Based (that is, using username/password) authentication is considered as an existing first phase solution for the WLAN authentication. However, in the future there will be a target solution utilising EAP solution, where the Home PLMN HLR is involved.

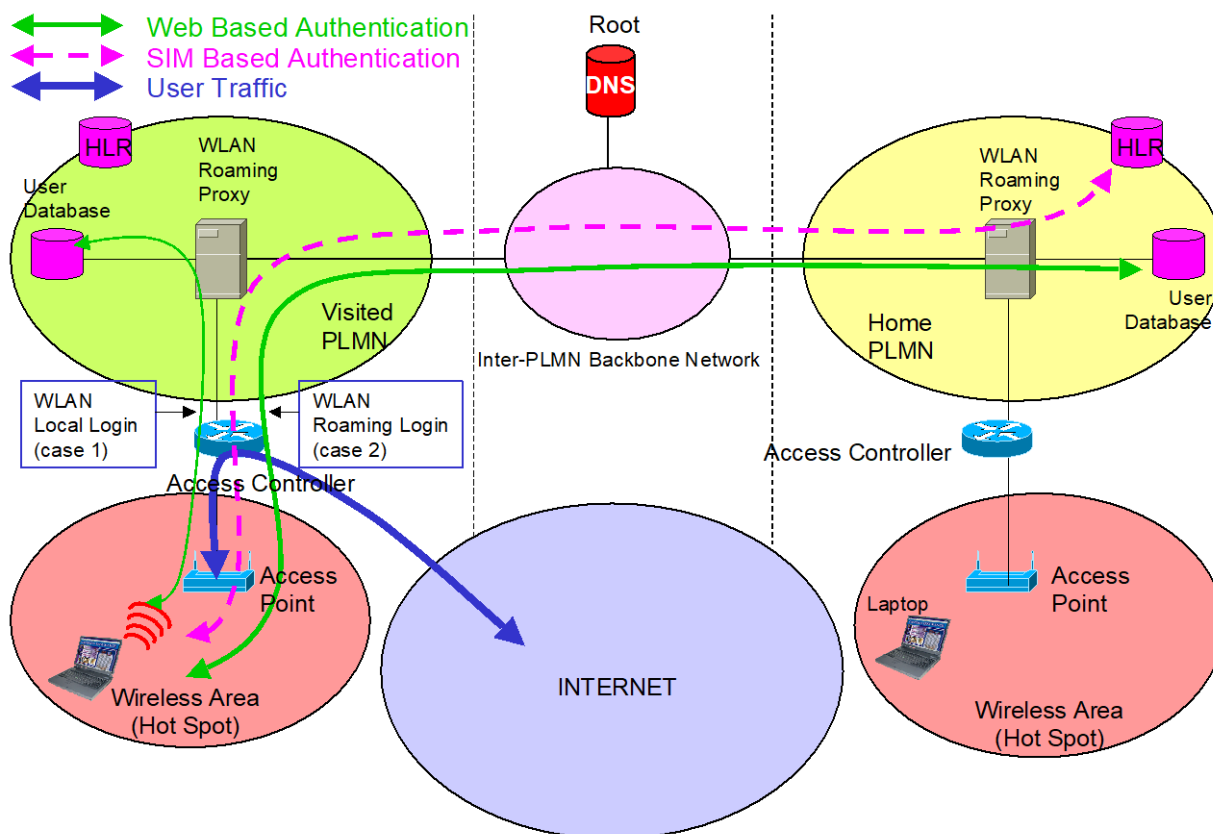


Figure 11: WLAN user authentication mechanism

The GRX/IPX network is used for transporting RADIUS authentication and accounting messages for WLAN roaming services only, WLAN user data is *not* carried over GRX/IPX.

The IP address of the WLAN Roaming Proxy must be reachable via the GRX/IPX. Please note that the first phase of WLAN roaming will not use the GRX/IPX Root DNS at all since the IP addresses of the Home PLMN RADIUS server is statically configured in the Visited PLMNs RADIUS server (the "next hop" list). In fact, RADIUS does not provide for a DNS type solution for realm to AAA entity mapping. The utilising of Root DNS may be required in future WLAN roaming solutions where Diameter instead of RADIUS is used, as Diameter does provide for an optional realm to AAA entity mapping.

More information on WLAN roaming can be found in GSMA PRD IR.61 [10].

4.5 IP Multi-media Sub-system (IMS)

4.5.1 Introduction

The IP Multi-media Sub-system (IMS) provides a standardised architecture for providing feature rich multimedia services/applications, such as speech communication, messaging, real-time and turn-based gaming, shared online whiteboards etc. IMS services/applications rely on sessions managed by the Session Initiation Protocol (SIP), as defined in IETF RFC 3261 [38], and profiled in 3GPP TS 24.229 [35] (which includes a set of standardised extensions) to be used by Service Providers.

Diameter is also used on some interfaces in the IMS architecture, however, these are intra-Service Provider interfaces and so are outside the scope of this PRD.

Figure 10 shows an end-to-end IMS session. Only the basic architecture of involved IMS network elements is shown. Please note that signalling and user data of an IMS session are separated. Signalling and user data make use of different PDN connections, but use the same (originating) IP address.

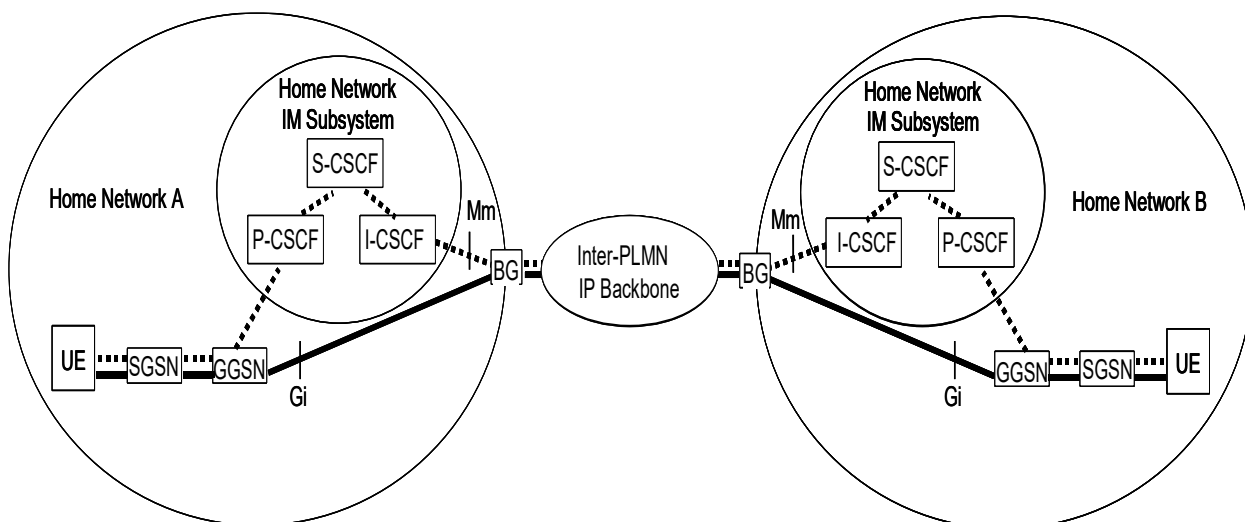


Figure 12: IMS Session Inter-working

IMS subscribers are addressed by SIP URIs or E.164 numbers represented as Tel URIs or SIP URIs with the "user=phone" option. ENUM is specified in IMS as the means to convert an E.164 number into one or more SIP URI as indicated in section 2.3.3. See GSMA PRD NG.105 [56] for more information on ENUM Guidelines for Service Providers and IPX Providers.

For resolving SIP URIs to SIP Servers (see IETF RFC 3263 [17]), the support of the NAPTR Resource Record functionality (as defined in IETF RFC 3404 [7]) and the SRV Resource Record functionality (as defined in IETF RFC 2782 [18]) is needed in the Service Provider's DNS servers.

More information on IMS roaming and interworking can be found in GSMA PRD IR.65 [11].

4.5.2 SIP server configuration

There are several RFCs covering use of SIP in the DNS. These include IETF RFC 3824 [24], IETF RFC 3263 [17], and IETF RFC 3403 [6].

The reason this configuration is needed is as follows:

When a SIP session is initiated by a user, they address the session to either a SIP URI (e.g. kim@example.com) or an E.164 number. In both cases, the IMS needs to know the IP address of the SIP server to which it can route the session. The SIP server information contains the detail needed to provide the destination network's SIP server IP address to the calling network based on the information in the SIP URI.

The approach described in this section is compliant with these RFCs and consists of 4 separate steps. It is consequently known as the “4-step approach”.

In order to improve performance/session establishment time, use of explicit IP addresses instead of FQDNs eliminates the need for some DNS lookups and retains compatibility with existing standards. However, using IP addresses instead of FQDNs is more restrictive.

4.5.2.1 Step 1

This is the ENUM related step and is performed only for cases where the service has been addressed to an E.164 number. An IMS call to a user using the format bob@example.com would not require this step. Example of DNS data for a particular SIP URI and its servers can be found in section 4.5.2.

4.5.2.2 Step 2

Having obtained the destination domain name, the DNS is asked to provide matching SIP Server Location Information. One or more NAPTR records may be retrieved, and the calling application examines these records to find the best match based on priorities and the desired SIP protocol variant:

```
mnc001.mcc234.3gppnetwork.org. IN NAPTR 50 100 "s" "SIP+D2U" ""
_sip._udp.example.com.
mnc001.mcc234.3gppnetwork.org. IN NAPTR 90 100 "s" "SIP+D2T" ""
_sip._tcp.example.com.
mnc001.mcc234.3gppnetwork.org. IN NAPTR 90 100 "s" "SIPS+D2T" ""
_sips._tcp.example.com.
```

In the above example, “D2U” indicates UDP-based SIP, “D2T” indicates TCP-based SIP, and “SIPS+D2T” indicates UDP-based unencrypted SIP.

The presence of these fields indicates what variations of SIP are supported on a given SIP server.

The "s" flag means the next stage is to look up an "SRV" record

4.5.2.3 Step 3

An example set of SIP server SRV records is as follows:

```
_sip._tcp.example.com. SRV 0 1 5060 siperv1.example.com.
_sip._tcp.example.com. SRV 0 2 5060 siperv2.example.com.
_sip._udp.example.com. SRV 0 1 5060 siperv1.example.com.
_sip._udp.example.com. SRV 0 2 5060 siperv2.example.com.
_sips._tcp.example.com. SRV 0 1 5060 siperv3.example.com.
_sips._tcp.example.com. SRV 0 2 5060 siperv4.example.com.
```

For each of the variations of the SIP protocols supported the SRV records describe:

- name of the server;
- which port number SIP uses; and

- where there are multiple servers, the weights & priorities to allow rough load balancing.

The calling network asks the DNS for an SRV record for the host corresponding to the specific service/protocol/domain combination that was returned in Step 2

If there are multiple records with the same service/protocol/domain combination, the caller must sort the records based on which has the lowest priority. If there is more than one record with the same priority, the record with the highest weight is chosen.

From the SRV record get the corresponding server name.

There is potential flexibility in this step for the destination operator to receive the SIP traffic on different servers depending on the desired variation of the SIP protocol – TCP, UDP, encrypted, unencrypted.

4.5.2.4 Step 4

For the server's name returned in Step 3, do a standard DNS lookup to find its IP address

This is a normal "A" (address) record lookup

```
sipserv1.example.com.      IN A      101.1.2.3
sipserv2.example.com.      IN A      101.1.2.4
```

4.5.3 Domain Names used

The domain names used for IMS based services are SIP Server names, however, there are no restrictions in the standards as to what these domain names shall be (other than the normal FQDN rules, as specified in the likes of IETF RFC 1034 [1] and IETF RFC 1035 [2]). However, for service providers interconnecting across the GRX/IPX network, it is recommended to use an MCC/MNC sub domain of ".3gppnetwork.org" as this is supported already on the GRX/IPX DNS and also allows for SIP URIs returned using ENUM on the GRX/IPX as specified in section 5.

It should be noted that right now, more "user friendly" domain names are not yet directly supported on the GRX/IPX DNS. Work on supporting a much wider set of domain names is ongoing.

4.6 Generic Authentication Architecture (GAA)

4.6.1 Introduction

The Generic Authentication Architecture is defined in 3GPP TS 33.220 [19]. It is a standardised mechanism for securely distributing shared keys for later use by applications on the UE.

Note: The address of the Bootstrapping Server Function (BSF) used by the UE is dependent on whether USIM or ISIM is used in bootstrapping. See 3GPP TS 23.003 [8], section 16.

4.7 Generic Access Network (GAN)

4.7.1 Introduction

The Generic Access Network is defined in 3GPP TS 43.318 [20] and 3GPP TS 44.318 [21]. It provides for using unlicensed radio spectrum for accessing the GSM core network in order to provide normal GSM services including both CS and PS. It was based on the work done by the UMA forum.

4.8 Secure User Plane Location (SUPL)

4.8.1 Introduction

The Secure User Plane Location feature is defined in OMA OMA-AD-SUPL-V1_0-20070615-A [27]. It provides a mechanism for carrying location information between a user's SUPL Enabled Terminal (SET) and SUPL Location Platform (SLP) in a Service Provider's network, in a way that does not rely on modifications to any network interfaces or elements between the SET and SPL. This information can then be used by the Service Provider to calculate the SET's location.

4.9 Enhanced Packet Core (EPC)

4.9.1 Introduction

The Enhanced Packet Core is defined in 3GPP TS 23.401 [28] and 3GPP TS 23.402 [29]. It provides for a new and much more efficient PS core network to support E-UTRAN and serves as part of the Enhanced Packet System (EPS).

It should be noted that EPC used to be known as SAE (Service Architecture Evolution) and E-UTRAN used to be known as LTE (Long Term Evolution) RAN.

4.10 IMS Centralised Services (ICS)

4.10.1 Introduction

The IMS Centralised Services feature is defined in 3GPP TS 23.292 [30]. It enables the provisioning of Supplementary Services and value added services (such as those offered today via CAMEL) to the CS domain from IMS.

4.11 Access Network Discovery Support Function (ANDSF)

4.11.1 Introduction

The Access Network Discovery Support Function (ANDSF) is defined in 3GPP TS 23.402 [29]. It contains data management and control functionality necessary to provide network discovery and selection assistance data according to Service Provider policy. The ANDSF responds to requests from the UE for access network discovery information and may be able to initiate data transfer to the UE, based on network triggers.

4.12 Mobile Broadcast Services (BCAST)

4.12.1 Introduction

Mobile Broadcast Services is a service enabler defined by the OMA in OMA-TS-BCAST_Service_Guide-V1_1-20100111-D [40]. This enables service/content providers to describe the services and content available (either free, subscription or one-off fee) and how to access them as Mobile Broadcast services either over a Broadcast Channel or over an Interaction Channel. From the user perspective the Service Guide can be seen as an entry point to discover the currently available or scheduled services and content, and to filter those based on their preferences.

Discovery of a Service Guide Function is performed using DNS SRV records, or optionally, using an FQDN derived from the IMSI, as specified in section 6.2.1 of OMA-TS-BCAST_Service_Guide-V1_1-20100111-D [40]. The domain name to use when deriving the FQDN from the IMSI is specified in section 2.3 of the present document.

4.13 The XCAP Root URI on Ut Interface for MMTEL/IMS profile for Voice and SMS (XCAP)

4.13.1 Introduction

XCAP is a protocol defined in IETF RFC 4825 [44], 3GPP TS 24.623 [45], and is part of the IMS profile for Voice and SMS documented in IR.92 [46]. This is used in manipulation of supplementary service configuration.

The XCAP Root URI is defined in IETF RFC 4825 [44], and is used to identify the XCAP Root, which is a context that contains all the documents across all application usages and users that are managed by the XCAP server.

The XCAP Root URI takes the following format: "http://xcap.domain"

The domain part of the XCAP Root URI is derived in accordance with 3GPP TS 23.003 [8], section 13.9.

4.14 RCS - Rich Communication Suite

4.14.1 Introduction

RCS as specified in the RCS specifications [48] is a simple and interoperable evolution to voice and text, which enables customers to send instant messages, video chat and exchange files in real time, that is rich call with content sharing, chat, file sharing etc. All functions are built into the address book of mobile devices. RCS focuses on the communications service aspects building on established interoperability principles within the mobile operator ecosystem providing service definition, functional description and technical realisation to develop new service packages for today's 'always-on' mobile users enabling seamless user experience.

The description and the use of the reserved subdomain names will be referenced in the RCS specifications where this domain can be used by all RCS specification versions.

4.15 Evolved Packet Data Gateway (ePDG)

4.15.1 Introduction

The Evolved Packet Data Gateway is defined in 3GPP TS 23.402 [29]. It provides PDN connectivity to the Evolved Packet Core (EPC) over untrusted non-3GPP IP access networks.

4.16 Network element self-configuration

4.16.1 Introduction

The concept of network element self-configuration is described in 3GPP TS 32.501 [50]. The network elements self-configuration can be applied e.g. for eNBs that is defined in 3GPP TS 36.300 [51].

4.17 EPC and GPRS coexistence

4.17.1 Introduction

When configuring the authoritative DNS server, a mobile operator supporting both GPRS and EPC roaming must consider that different DNS query procedures can be used in GPRS (A/AAAA-record queries) compared with EPC (S-NAPTR queries).

GSMA PRD IR.88 [52] provides further details on the DNS configuration requirements for different GPRS (2G/3G) and EPC coexistence scenarios.

4.18 MBMS Service Announcement Bootstrapping

4.18.1 Introduction

The method for bootstrapping for MBMS service announcement is described in 3GPP TS 26.346 [53]

4.19 5G Core (5GC)

4.19.1 Introduction

The 5G Core is defined in 3GPP TS 23.501 [37]. It provides support for a new and enhanced PS core networks to support NG-RAN (refer also to 3GPP TS 23.501 [37]) and serves as part of the 5G System (5GS).

4.19.2 Usage of DNS in Peer SEPP FQDN(s) discovery

Whenever an initiating SEPP (iSEPP) needs to contact another network, it needs to determine the responding SEPP (rSEPP). For example: A vNRF addresses a hNRF by making use of the hNRF FQDN as defined in 23.003 [59] subclause 28.3.2.3.3. The example given there is:

For MCC = 012 and MNC = 345, the API root of the NRF services shall be:

["https://nrf.5gc.mnc345.mcc012.3gppnetwork.org/"](https://nrf.5gc.mnc345.mcc012.3gppnetwork.org/)

As a result of receiving this message, the iSEPP needs to establish a N32 connection with the rSEPP, if no such connection has already been established. For this, it needs to discover the IP address of the appropriate rSEPP.

The discovery approach described in this section consists of 3 steps, as follows.

4.19.2.1 Step 1

Based on the PLMN ID the well-known FQDN can be constructed. For MCC = 012 and MNC = 345 the well-known FQDN shall be: `sepp.5gc.mnc345.mcc012.3gppnetwork.org`

Unless specified and agreed otherwise this well-known FQDN shall be used by the iSEPP to issue a DNS query to provide matching rSEPP(s) topology Information.

One or more NAPTR records may be retrieved for the "FQDN" `sepp.5gc.mnc<MNC>.mcc<MCC>.3gppnetwork.org` and the SEPP examines these records to find the best match based on priorities. In the example below, the network with MCC = 012 and MNC = 345 has one NAPTR record:

```
TTL order preference flags service regex replacement
sepp.5gc.mnc345.mcc012.3gppnetwork.org. 14400 IN NAPTR 50 100 "s" "x-3gpp-sepp:x-n32c" "" "_n32._tcp.sepp.5gc.mnc345.mcc012.3gppnetwork.org.
```

The service parameter shall be set to "x-3gpp-sepp:x-n32c", indicating that peer entity is a SEPP and the interface is N32c. The regex shall be empty.

From Release 17 onwards, TS 29.573 [62] supports different purposes for N32. The service parameter shall be used to indicate the purpose of an N32c interface. Every supported purpose shall have its own DNS record.

If the purpose for N32 establishment is not specified, the purpose shall be "ROAMING" only.

For purposes other than "ROAMING", the purpose string, i.e. the String from the column "enumeration value" of table 6.1.5.3.9-1 of 3GPP Release 18 TS 29.573 [62], shall be appended to the service parameter "x-3gpp-sepp:x-n32c:"

For the purpose "ROAMING" the purpose string is not appended to the service parameter "x-3gpp-sepp:x-n32c".

The replacement string, i.e. the input to the SRV query, needs to be different for those purposes that need to be routed via different N32 connections, and the same for those purposes that need to be routed via the same N32 connection

NOTE: The correct release to reference should be aligned with the latest published release.

To give an example for an operator that would like to use two different N32 connections, one for SMS_INTERCONNECT and one for ROAMING and DISASTER_ROAMING, the NAPTR records could look as follows:

```
sepp.5gc.mnc345.mcc012.3gppnetwork.org. 14400 IN NAPTR 50 100 "s" "x-3gpp-
sepp:x-n32c:SMS_INTERCONNECT" ""
_n32_xy._tcp.sepp.5gc.mnc345.mcc012.3gppnetwork.org.
sepp.5gc.mnc345.mcc012.3gppnetwork.org. 14400 IN NAPTR 50 100 "s" "x-3gpp-
sepp:x-n32c" "" _n32_az._tcp.sepp.5gc.mnc345.mcc012.3gppnetwork.org.
sepp.5gc.mnc345.mcc012.3gppnetwork.org. 14400 IN NAPTR 50 100 "s" 2x-3gpp-
sepp:x-n32c:DISASTER_ROAMING" ""
_n32_az._tcp.sepp.5gc.mnc345.mcc012.3gppnetwork.org.
```

The SRV records for the services `_n32_xy` and `_n32_az` would then also resolve to separate host names.

The “s” flag means the next stage is to look up an “SRV” record.

A NAPTR record is quite static and therefore the recommended TTL value is between 4 and 12 hours.

Note: Multiple NAPTR record lines may be foreseen in the future. For example: one NAPTR record for roaming and one NAPTR record for (SMS) interworking.

4.19.2.2 Step 2

In this step, the iSEPP issues a DNS SRV query in order to obtain the list of candidate rSEPPs that it can use in order to setup the N32 connection.

An example set of SEPP server SRV records based on the first NAPTR record from step 1 which could be returned in the DNS reply, is as follows:

```
# _service._proto.name. TTL class SRV priority
weight port target.
_n32._tcp.sepp.5gc.mnc345.mcc012.3gppnetwork.org. 600 IN SRV 10
60 443 sepp1.5gc.mnc345.mcc012.3gppnetwork.org.
_n32._tcp.sepp.5gc.mnc345.mcc012.3gppnetwork.org. 600 IN SRV 10
20 443 sepp2.5gc.mnc345.mcc012.3gppnetwork.org.
_n32._tcp.sepp.5gc.mnc345.mcc012.3gppnetwork.org. 600 IN SRV 10
20 443 sepp3.5gc.mnc345.mcc012.3gppnetwork.org.
_n32._tcp.sepp.5gc.mnc345.mcc012.3gppnetwork.org. 600 IN SRV 20
0 443 sepp4.5gc.mnc345.mcc012.3gppnetwork.org.
```

From the SRV record, the rSEPP server FQDNs gets extracted.

SRV records could be volatile but for operational reasons the recommended TTL should not fall below 5 minutes.

Note: SRV records represent a topology of rSEPPs. This implies that iSEPP must be SRV-cognizant.

4.19.2.3 Step 3

For the server names with the lowest integer in the priority field returned in step 2, a standard DNS query is performed in order to obtain the servers’ IP addresses.

This is a normal “A/AAAA” (address) record lookup.

```

Sepp1.5gc.mnc345.mcc012.3gppnetwork.org   AAAA 2001:db80::1321:abcd
sepp2.5gc.mnc345.mcc012.3gppnetwork.org   AAAA 2001:db80::5e0d:00de
sepp3.5gc.mnc345.mcc012.3gppnetwork.org   AAAA 2001:db80::3900:0164
    
```

4.19.3 Domain Names used

The domain names of SEPP server names, shall be in the “5gc.” Subdomain of the MCC/MNC sub domain of “.3gppnetwork.org”. More details and exceptions can be found in GSMA PRD NG.113 [60] and GSMA PRD FS.34 [61].

4.19.4 Use of DNS servers in peer SEPP IP address discovery

The procedure to resolve the DNS A or AAAA records described in step 3 (section 4.19.2.3), is described below.

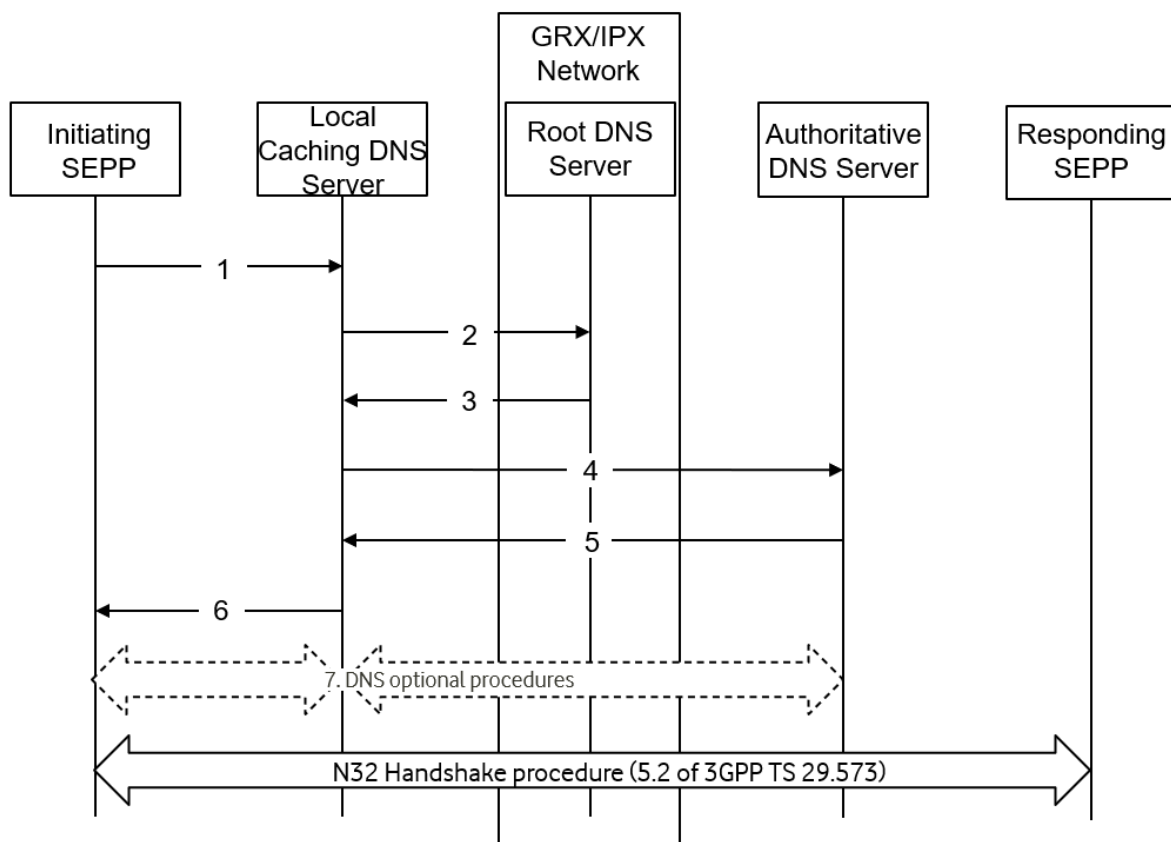


Figure 13: DNS message flow for iSEPP to discover IP address of rSEPP

1. Initiating SEPP should query the Local Caching DNS to perform the DNS lookup. Initiating SEPP will send a recursive DNS Query to the Local Caching DNS server.
2. The Local Caching DNS Server checks its local cache for the IP address of the requested resource record. If it has this record, and the record has not exceeded its time to live, processing skips to step 6. Otherwise, the Local Caching DNS Server

checks its local cache for the IP address of the Authoritative DNS Server. If it does not already have this IP address, it then issues an iterative DNS Query to the IPX network's Root DNS Server otherwise, processing skips to step 4.

3. The Root DNS Server replies to the DNS Query received from the Local Caching DNS with the details of the Authoritative DNS Server (for example, the FQDN and/or IP address(es)).
4. The Local Caching DNS Server sends an iterative DNS query to the Authoritative DNS Server to resolve the DNS Query received in step 1.
5. The Authoritative DNS Server will resolve the DNS Query received in step 4 and will answer to the Local Caching DNS Server.
6. The Local Caching DNS Server replies to the DNS Query received from the initiating SEPP (in step 1) with the result obtained from the Authoritative DNS Server.
7. Depending on the answer received (step 6), some additional DNS queries could be required to discover the SEPP IP address. When discovered, the N32 handshake procedure could start (as described in section 5.2 of 3GPP TS 29.573).

The initiating SEPP shall initiate N32 connections to (multiple, if applicable) rSEPPs with the lowest integer in the priority field and it should distribute N32 traffic according to the provided weight. Hence the procedure described in this paragraph shall be executed for all rSEPPs with the lowest integer in the priority field . More details on load sharing and routing can be found in NG.113 [60]:

4.19.5 Handling Non-MNO SEPPs

If rSEPP is non-MNO (e.g. outsourced or operator group SEPP) the NAPTR response may include a NAPTR record pointing to a service at the non-MNO entity, for example:

Hosted SEPP:

```
sepp.5gc.mnc345.mcc012.ipxa.ipxnetwork.org. 14400 IN NAPTR 50 100 "s" "x-3gpp-sepp:x-n32c" "" _n32._tcp.
Sepp.5gc.mnc345.mcc012.ipxa.ipxnetwork.org.
```

Hub SEPP:

```
sepp.5gc.mnc345.mcc012.ipxa.ipxnetwork.org. 14400 IN NAPTR 50 100 "s" "x-3gpp-sepp:x-n32c" "" _n32._tcp. Sepp.5gc.ipxa.ipxnetwork.org.
```

Subsequent SRV, A and AAAA DNS queries will then point to the right hosts.

4.20 Stand-alone NPN (SNPN)

4.20.1 Introduction

The SNPN is defined in 3GPP TS 23.501[37] as a 5GS deployed for non-public use and operated by an NPN operator not relying on network functions provided by a PLMN.

5 Processes and Procedures relating to DNS

5.1 Introduction

This section describes the processes and procedures relating to DNS that apply to Service Providers and GRX/IPX Providers.

5.2 Existing domains/sub-domains on the GRX/IPX network and their Allocation

The domain names for use by Service Providers on the GRX/IPX network are the following:

- .gprs
- .3gppnetwork.org
- .ipxnetwork.org
- .ipxsp.org
- .e164enum.net

Only the sub-domains listed in section 2.3.3 for each of the above domains should be used.

The domain name ".e164enum.net" is used only for Carrier ENUM on the GRX/IPX; see GSMA PRD NG.105 [56] for more information.

The domain names to be used by the GRX/IPX Providers on the GRX/IPX are the same as those above, when a GRX/IPX Provider is hosting services on behalf of a Service Provider. For all other services and also for GRX/IPX network equipment (for example routers, MMS Hubs, etc.). For 5G SA roaming and interworking ".ipxnetwork.org" shall be used. For any other use cases ".ipxnetwork.org" should be used, see section 2.3.3. The ".grx" domain name also is commonly used, but should be reserved for legacy equipment on the GRX network. The sub-domains on ".grx" and ".ipxnetwork.org" are agreed amongst other GRX/IPX Providers and assigned on a first come – first served basis in order to guarantee uniqueness.

5.3 Procedures relating to new domain names on the GRX/IPX network

New domain names may be added to the GRX/IPX network's DNS by any Service Provider or GRX/IPX Provider, in order to enable further services to be used on the NNI provided by the GRX/IPX network. This could be to allow such things as resolution of domain names used for national interconnect agreements, and so on. However, wherever possible, the existing sub-domains of the domain names specified in section 2.3.3 should be reused.

It is recommended that new domain names to be added to the GRX/IPX network's DNS are:

- a sub-domain of a Country Code Top Level Domain (ccTLD);
- registered/reserved on the Internet, in order to prevent any issues of ownership;
- not provisioned on the Internet (that is. not resolvable, at least no more than is absolutely necessary for example to retain ownership as per the rules of some ccTLD authorities);
- hosted in their own authoritative DNS server(s) on the GRX/IPX network, which is linked from the GRX/IPX Root DNS that is by using NS record entries (this eases administration of the new domain name and also prevents the GRX/IPX Root DNS becoming unmanageable); and

- used by an entity in addition to either their "mnc<MNC>.mcc<MCC>.3gppnetwork.org" domain name , "mnc<MNC>.mcc<MCC>.<UNIQUE-IPX-PROVIDER-ID>.ipxnetwork.org", "<UNIQUE-IPX-PROVIDER-ID>.ipxnetwork.org" or "spn<SPN>.ipxsp.org" domain name, as specified in section 2.3.3 (amongst other things, this enables network node naming as per section 2.4).

The hosting authoritative DNS server(s) need to be reachable and respond to queries from all Service Providers and/or GRX/IPX Providers that need to resolve associated FQDNs. Ideally, access should be allowed to all entities on the GRX/IPX network, but only those who need should have their queries properly serviced; the rest should be returned a standard DNS or ICMP error.

Care should be taken to not inadvertently force another entity who is denied access/resolvability of the domain name into (automatically or otherwise) trying to resolve it, including (but not necessarily limited to):

- by using only, the new domain name in general network node naming (network node naming should still be done as per section 2.4, using the domain names recommended therein); and
- by returning it in a NAPTR and/or SRV record (for example as used in IMS/SIP, ENUM, EPC).

For domain names that need to be resolvable on the UNI, the Internet DNS should always be used. By design, the GRX/IPX DNS provides resolution only for entities connected to the NNI.

5.4 GSMA Root DNS service and its access

5.4.1 GSMA Root DNS Service

The GSMA Root DNS Service provides authoritative naming management and address resolution mechanisms for the mobile industry that includes GRX Providers, IPX Providers and Mobile Network Operators. This translates into two main functions:

- Assignment and administration of domain names according to this IR.67 specification
- Peering connection and DNS zone transfer services

In the SOA record of the root DNS a refresh timer of 900 seconds and a retry timer of 900 seconds is configured for the zones GPRS and 3GPPNETWORK.ORG. The secondary DNS servers will try to update the configuration once every 15 minutes.

The GSMA Root DNS Server is currently available at multiple locations to provide high availability service. GSMA reserves the right to add, relocate or decommission locations in response with technological advancement, operational requirement and demand from the industry.

5.4.2 Access to GSMA Root DNS Service

For an applicant, who is limited to GRX Provider, IPX Provider which facilitates a connection from a Mobile Network Operator, or Operator requires the access to the service provided by the GSMA.

The application and accreditation process is required prior to its connection and is managed by the Manage Services team at GSMA. Applicant can contact the team by emailing rootdns@gsma.com to request access. An on boarding questionnaire will be provided for the applicant to provide information required for the application and accreditation process, and the service the applicant intend to utilize.

Once the applicant provides the necessary information, an accreditation process is conducted. If the verification is passed, the applicant will enter service agreement with GSMA and other terms as with associated parties, as deem necessary. The applicant also needs to settle any required payment. If any information is missing or incorrect, the applicant will need to resubmit the on boarding questionnaire.

If an application is either controversial or unsuccessful, it is escalated to GSMA staff for their consideration and their final decision. The applicant can appeal against a rejection by contacting the NG Director.

Once the application process completes, an account is created in the system with associated access credentials and security appliance to access the dedicated web portal. The peering and zone transfer between the applicant and the GSMA system can also be established and tested. As final step of the activation process the Participant's name servers are provisioned in the GSMA system.

Applicant can start submitting information to the GSMA DNS Service through the web portal. User can then create, modify, delete or transfer domain names on behalf of Mobile Network Operators and its other customers according to the operational manual maintained by GSMA and its technology partner.

For any administrative, technical and operation issue regarding the service, including the document required for the accreditation process, please contact rootdns@gsma.com .

5.5 Delegation of sub-domains of “pub.3gppnetwork.org”

GSMA can delegate a sub-domain of pub.3gppnetwork.org to DNS of an MNO. The routine specified by GSMA operations, that the MNO needs follow to do this, consists of the following steps:

1. **Identify MCC and MNC values for the MNO.**
2. **Identify CNAME record** for the domain to be transferred.

The CNAME record shall be in format of:

<ABC>.mnc<MNC>.mcc<MCC>.pub.3gppnetwork.org

were

acceptable values of <ABC> are defined in 2.3.4 (other values might be added as needed; see also NOTE 2 below)

<MNC> and <MCC> have to be replaced by respective values of the home network in decimal format, with a 2-digit MNC padded out to 3 digits by inserting a 0 at the beginning.

Note 1: For RCS configuration server CNAME record should be in format of <http://config.rcs.mnc<MNC>.mcc<MCC>.pub.3gppnetwork.org>

Note 2: An operator may wish to delegate the entire mnc<MNC>.mcc<MCC>.pub.3gppnetwork.org sub-domain.

3. **Create the Zone File** on the MNO's own NameServer/DNS with the NS record specified in step 2.
4. **Complete the Request Form** in Annex B.1 and - if required for your use of the sub-domain - **also the Letter of Authorization** in Annex B.2, and send both to GSMA at 3gppnetwork.org_delegation@gsma.com

Note 3: The Letter of Authorization format (Annex B.2) may need to be adapted dependent on your selected Certificate Body's requirements. If in doubt, please contact a Certificate Body of your choice, and obtain a necessary template to be filled in by MNO and signed by GSMA as the registrant of 3gppnetwork.org domain.

5. **GSMA will process the request, delegate the requested subdomain to MNO's DNS, and return a signed copy of the Letter of Authorization to MNO.**

Note 4: The typical maximum lead time to process the Request Form and sign the Letter is five (5) working days.

Note 5: The requesting MNO is responsible for submitting the Letter to their Certificate Authority.

Annex A Sample BIND DNS Configuration for GPRS

A.1 Introduction

All sample configurations of this annex are in valid syntactical format for the ISC BIND DNS server software. However, the samples are not from actual DNS configuration and contain only example information, including sample IP addresses which are not valid. They are provided for illustration purposes only. It is therefore highly recommended NOT to use these samples in live networks! The GSM Association takes no responsibility of the usage of these configurations in any operators DNS servers and/or live networks.

A.2 The "named.conf" file

The "named.conf" file has configuration information for BIND software. Following is only the necessary configuration to get DNS running. There are many more options that may also be useful, but which are not shown here, simply for making the examples as simple as possible.

A.2.1 The "named.conf" file for a PLMN Primary Nameserver

```
options {
    directory "/var/named";
}; // where the files reside
zone "." in {
    type hint;
    file "gprs.hint";
}; // gprs root servers
zone "0.0.127.in-addr.arpa" in {
    type primary;
    notify no;
    file "primary/0.0.127.in-addr.arpa";
}; // only contains information about localhost.
/*
* PLMN domain information
*/
zone "mnc091.mcc244.gprs" in {
    type primary;
    file "primary/mnc091.mcc244.gprs";
};
zone "sonera.fi.gprs" in {
    type primary;
    file "primary/sonera.fi.gprs";
}; // human readable operator id
zone "168.192.in-addr.arpa" in {
    type primary;
    file "primary/168.192.in-addr.arpa";
};
```

A.2.2 The "named.conf" file for a PLMN Secondary Nameserver

```
options {
    directory "/var/named";
}; // where the files reside
zone "." in {
    type hint;
    file "gprs.hint";
}; // gprs root servers
zone "0.0.127.in-addr.arpa" in {
    type primary;
    notify no;
    file "primary/0.0.127.in-addr.arpa";
}; // only contains information about localhost.
/*
 * PLMN domain information
 */
zone "mnc091.mcc244.gprs" in {
    type primary;
    file "primary/mnc091.mcc244.gprs";
};
zone "sonera.fi.gprs" in {
    type primary;
    file "primary/sonera.fi.gprs";
}; // human readable operator id
zone "168.192.in-addr.arpa" in {
    type primary;
    file "primary/168.192.in-addr.arpa";
};
};
```

A.3 Zone Configuration Files

Recommended values for SOA records are as specified in ripe-203.

A.3.1 The "gprs.hint" file

This file contains ".gprs" root nameservers needed to initialise cache of ".gprs" nameservers. Note that the "." character is indeed significant.

```
.      518400          IN      NS      dns0.root.gprs.
dns0.root.gprs.  IN      A      172.22.1.5
.      518400          IN      NS      dns1.root.gprs.
dns1.root.gprs.  IN      A      10.254.243.7
.      518400          IN      NS      dns2.root.gprs.
dns2.root.gprs.  IN      A      192.168.17.232
```

A.4 The "0.0.127.in-addr.arpa" file

This file contains only information about localhost i.e. 127.0.0.1

```
$TTL 172800
@      IN      SOA      localhost.. hostmaster.localhost. (
                2000030701 ; serial (YYYYMMDDvv)
                86400      ; refresh (24 hours)
                7200       ; retry (2 hours)
                3600000    ; expire (1000 hours)
                172800 )   ; minimum time to live (2 days)
1      IN      PTR      localhost.
```

A.4.1 PLMN zone files

PLMN may configure both mnc.mcc.gprs and operator.cc.gprs type domains that will share exactly the same host information. In addition, early versions of GTPv0 did not have leading zeroes to make mnc code always 3 digits long. In order to minimise both configuration work and possible errors, zone files may include a common host configuration.

A.4.1.1 The "mnc091.mcc244.gprs" file

```
$TTL 172800
@      IN      SOA      mnc091.mcc244.gprs. hostmaster.mnc091.mcc244.gprs. (
                2000030701 ; serial (YYYYMMDDvv)
                86000      ; refresh (24 hours)
                7200       ; retry (2 hours)
                3600000    ; expire (1000 hours)
                172800 )   ; minimum time to live (2 days)
                IN      NS      dns0
                IN      NS      dns1
$INCLUDE primary/hosts
```

A.4.1.2 The "sonera.fi.gprs" file

```
$TTL 172800
@      IN      SOA      sonera.fi.gprs. hostmaster.sonera.fi.gprs. (
                2000030701 ; serial (YYYYMMDDvv)
                86400      ; refresh (24 hours)
                7200       ; retry (2 hours)
                3600000    ; expire (1000 hours)
                172800 )   ; minimum time to live (2 days)
                IN      NS      dns0
                IN      NS      dns1
$INCLUDE primary/hosts
```

A.4.2 The "hosts" file

This file contains IP address records for all hosts in the PLMN. The origin changes depending on which file includes the contents i.e. after the names not ending at dot, the current domain name is appended automatically.

Load balancing may be performed configuring same access point with several IP addresses that actually are on different GGSNs. In this case, addresses are used in round-robin

fashion. However, DNS information is cached, and a new query is performed only when the TTL (time-to-live) has expired. Therefore, TTL of 0 seconds is configured for load balanced access points.

```

dns0                IN      A      192.168.1.2
dns1                IN      A      192.168.2.2
;
;   router
helsinki-rtr-1-fe-0-0    IN      A      192.168.1.254
helsinki- rtr-1-fe-0-1    IN      A      192.168.2.254
helsinki- rtr-1-fe-0-2    IN      A      192.168.3.254
helsinki- rtr-1-s-1-0    IN      A      172.22.5.6
;
;   access point
ibm.com              IN      A      192.168.1.5
;
;   load balanced access point
compaq.com           0      IN      A      192.168.1.5
                    0      IN      A      192.168.2.5
;
;   service access point
internet             IN      A      192.168.2.2
;
;   GGSN
helsinki-ggsn-15     IN      A      192.168.1.5
helsinki- ggsn-25     IN      A      192.168.2.5
helsinki- ggsn-22     IN      A      192.168.2.2
;
;   SGSN
helsinki-sgsn-1      IN      A      192.168.3.3
;   SGSN with RAI
racF1.lac12EF        IN      A      192.168.3.3

```

A.4.3 The "168.192.in-addr.arpa" file

There may be several PTR records so that each name associated with an address may have reverse mapping also. Note that IP address is reversed in in-addr.arpa domain i.e. 192.168.1.254 will be 254.1.168.192.in-addr.arpa.

```

$TTL 172800
@      IN      SOA    dns0.sonera.fi.gprs. hostmaster.sonera.fi.gprs. (
                2000030701 ; serial (YYYYMMDDvv)
                86400      ; refresh (24 hours)
                7200       ; retry (2 hours)
                3600000    ; expire (1000 hours)
                172800 )   ; minimum time to live (2 days)
      IN      NS     dns0.sonera.fi.gprs.
      IN      NS     dns1.sonera.fi.gprs.
5.1    IN      PTR   ibm.com.sonera.fi.gprs.
      PTR   ibm.com.mnc091.mcc244.gprs.
      PTR   compaq.com.sonera.fi.gprs.
      PTR   compaq.com.mnc091.mcc244.gprs.
      PTR   helsinki-ggsn-15.sonera.fi.gprs.
      PTR   helsinki- ggsn-15.mnc091.mcc244.gprs.

```

Official Document IR.67 - DNS Guidelines for Service Providers and GRX and IPX Providers

254.1	IN	PTR	helsinki-rtr-1-fe-0-0.sonera.fi.gprs.
		PTR	helsinki- rtr-1-fe-0-0.mnc091.mcc244.gprs.
2.2	IN	PTR	internet.sonera.fi.gprs.
		PTR	internet.mnc091.mcc244.gprs.
		PTR	helsinki-ggsn-2.sonera.fi.gprs.
		PTR	helsinki- ggsn-2.mnc091.mcc244.gprs.
5.2	IN	PTR	compaq.com.sonera.fi.gprs.
		PTR	compaq.com.mnc091.mcc244.gprs.
		PTR	helsinki-ggsn-25.sonera.fi.gprs.
		PTR	helsinki-ggsn-25.mnc091.mcc244.gprs.
254.2	IN	PTR	helsinki-rtr-1-fe-0-1.sonera.fi.gprs.
		PTR	helsinki-rtr-1-fe-0-1.mnc091.mcc244.gprs.
3.3	IN	PTR	helsinki-sgsn-1-fe.sonera.fi.gprs.
		PTR	helsinki-sgsn-1-fe.mnc091.mcc244.gprs.
		PTR	racF1.lac12EF.sonera.fi.gprs.
		PTR	racF1.lac12EF.mnc091.mcc244.gprs.
254.3	IN	PTR	helsinki-rtr-1-fe-0-2.sonera.fi.gprs.
		PTR	helsinki-rtr-1-fe-0-2.mnc091.mcc244.gprs.

Annex B Forms for transfer of sub-domain of “pub.3gppnetwork.org”

B.1 Request form

Request Form for Transfer of sub-domain of pub.3gppnetwork.org		
Technical Contact at MNO	Organisation:	
	Title:	
	Name:	
	Email:	
	Mobile Number:	
MNO Information	MNO Name:	
	MCC Value:	
	MNC Value:	
NS Record for MNO	NS Record for delegation of domain for an MNO shall follow the format: mnc<MNC>.mccc<MCC>.pub.3gppnetwork.org where MNC and MNC of the MNO reflect the corresponding MNC and MCC allocated by the relevant authority and is padded with 0 in front if it has been allocated with 2 digits	Mnc____.mcc____.pub.3gppnetwork.org
	Zone File for NS	Is the Zone file for the identified NS created on MNO's DNS Server <input type="checkbox"/> Yes
DNS Server Details (IP Address and FQDN)	Please provide MNO's DNS Server Details and where the Zone files for the NS record had been created	Name / IP Address
Letter of Authorization	If required, please complete the “Letter of Authorization” for certificate issuance to 3gppnetwork.org_delegation@gsma.com	
Requestee	Organisation:	
	Title:	
	Name:	
	Email:	
	Mobile Number:	
	Date:	
	Signature:	

B.2 Letter of Authorization Template

Please fill out all required fields in the template and replace <ABC>, <MNC> and <MCC> as specified in 6.5.

This letter can be adapted as per MNO's selected Certificate Body's requirement. The letter must be signed by GSMA.



<Certificate Organisation Name>

<Contact Name at Certificate Organisation>

<Certificate Organisation Address>

<Certificate Organisation Fax Number/Email address>

Date: <Please type date>

To whom it may concern,

Dear Sir/Madam,

Re: Domain Authorization Letter

I confirm that:

Organization enrolling for the Digital Certificate set out below is: <Please type your MNO's full company name here> ("Certificate Applicant")

Domain to be included in the certificate is:

<ABC>.mnc<MNC>.mcc<MCC>.pub.3gppnetwork.org ("Domain")

Registrant of the Domain is: GSM Association ("Registrant")

Digital Certificate is the certificate relating to the Domain.

I am employed by the Registrant and am duly authorized to sign this Domain Authorization Letter and to deal with all matters related to the registration of the Domain.

Certificate Applicant desires to install the Digital Certificate on its web server(s) for the domain and ultimately to enable secure communications with its users.

Registrant acknowledges that it has granted the Certificate Applicant the right to use the Domain as a common name in the Digital Certificate request referenced above and to otherwise use the Domain in connection with its business.

Regards,

Full Name: Javier Sendin

Job Title: Technical Director

Organisation: GSM Association

Signature: _____

Annex C Request for sub-domain of “ipxnetwork.org”

The GSMA Root DNS Service provides authoritative naming management and address resolution mechanisms for the mobile industry that includes GRX Providers, IPX Providers and Mobile Network Operators.

For 5G SA roaming, IPX providers should provide Non-MNO SEPPs and sub-domains are needed from “ipxnetwork.org” domain (UNIQUE-IPX-PROVIDER-ID as defined in section 2.3.3) and 4.19.5 (Handling Non-MNO SEPPs).

Sub-domain of “ipxnetwork.org” could be requested to GSMA Root DNS by contacting rootdns@gsma.com or using <https://www.gsma.com/solutions-and-impact/industry-services/network-services/root-dns/>

Document Management

Document History

Version	Date	Brief Description of Change	Approval Authority	Editor / Company
0.1.0	14 October 2004	First draft – skeleton.	-	Nick Russell, Vodafone
0.2.0	10 May 2005	Second draft, with most sections filled in, or at least with place holders.	-	Nick Russell, Vodafone
0.2.1	11 May 2005	Changed the underlying Word template to the new one.	-	Nick Russell, Vodafone
0.3.0	15 November 2005	Enhancements of ENUM section, including addition of Number Portability in ENUM, plus minor corrections and update of template.	-	Nick Russell, Vodafone
0.9.0	16 December 2005	Final draft for publication; contains only minor corrections to formatting since previous version.	-	Nick Russell, Vodafone
1.0	16 December 2005	Approved for publication.	DAG	Nick Russell, Vodafone
1.1	26 January 2006	Minor formatting corrections.	IREG	Nick Russell, Vodafone
1.2	4 April 2006	Moved in the DNS information from IR.34, ENUM section updated with the agreements made in the ENUM adhoc, updated the list of domains to provide a list with those defined in and/or before 3GPP specification set Rel-6. This version of the present document is the first version to be classified as "Unrestricted".	IREG Packet	Nick Russell, Vodafone
1.3	9 August 2006	Clarification of references to 3GPP documents (to show which specific release is being referenced), addition of health warnings about the old MMS URI prefix and ENUMservice field values, addition of health warning about SIP URI provisioning and some general tidying-up/consolidation of text.	IREG Packet	Nick Russell, Vodafone

Version	Date	Brief Description of Change	Approval Authority	Editor / Company
2.0	30 April 2007	Addition of the "No Root" ENUM architecture, plus some other miscellaneous corrections.	DAG	Nick Russell, Vodafone
2.1	18 October 2007	Minor restructuring to move ENUM material into own section, clarification in GPRS section and MMS section on using iterative rather than recursive DNS queries, clarification in MMS section of DNS usage when utilising one or more MMS Hubs and direct interconnects, and renaming of "No Root" ENUM model to "Multiple Root".	IREG Packet	Nick Russell, Vodafone
2.2	14 April 2008	Addition of information on OMA's SUPL feature, including domain name used and a new section giving a brief overview of the feature (CR #10). Also, some minor corrections to the ENUM section are provided (CR #11). Finally, a global replacement of "MNO" to "Service Provider" has been done, in-line with IPX terminology.	IREG Packet	Nick Russell, Vodafone

Version	Date	Brief Description of Change	Approval Authority	Editor / Company
3.0	26 September 2008	<p>Includes new GSMA logo on coversheet, change of "Operators" to "Service Providers" in the spec title, and implementation of the following CRs:</p> <p>CR #12 (major): Implementation of the conclusion from the ENUM White Paper (EWP), plus other minor corrections/enhancements. This includes corrections to domain names in sub-sections of 5.7</p> <p>CR #13 (minor): Addition of EPC and ICS specific sub-domains for .3gppnetwork.org.</p> <p>CR #14 (minor): Addition of new sub-section to ENUMservices section to specify the content of the ENUMservices field for services other than just those based on IMS/SIP and MMS.</p> <p>CR #15 (minor): Addition of information about domain names, including clearer indication of the current limitations of the GRX/IPX domain names currently supported. Some minor editorial, non-technical impacting corrections are also made.</p>	DAG and IREG Packet	Nick Russell, Vodafone
3.1	8 December 2008	<p>Corrections to footer, plus implementation of the following CRs:</p> <p>CR #16 (minor): Addition of the definition of the "user=phone" SIP URI parameter in URIs returned in IMS related ENUM responses.</p> <p>CR #17 (minor): Correction to 4.5.1 (IMS section) to state that support of NAPTR RRs is required in order to support SIP/IMS.</p>	IREG Packet	Nick Russell, Vodafone
3.2	6 May 2009	<p>Implementation of CR # 18 (minor): editorial enhancements to sections 1-4, and implementation of the recently approved sub-domains of 3gppnetwork.org (as requested by 3GPP and approved at Packet #37 and on email).</p>	IREG Packet	Nick Russell, Vodafone

Version	Date	Brief Description of Change	Approval Authority	Editor / Company
3.3	21 July 2009	<p>Implementation of the following CRs:</p> <p>CR #19 (minor): Add Internet assigned domain names to be used as a sub-domain under "3gppnetwork.org", in order to save all Service Providers connected to the IPX network to have to obtain an E.212 number range in order to be addressable. Also, the procedures section is updated to reflect this change, and also better describe the current state-of-the-art.</p> <p>CR #20 (minor): Add IR.33 (GPRS Roaming Guidelines) in the references section, add a new domain name to be used for naming of non-service specific nodes, add a new section on hostnames and domains (based on content from IR.33), provide extra detail on DNS Server software (also based on content from IR.33), add new section on DNS Server naming, add new section on Resource Record usage, and add references to IR.33 and the GTP spec (3GPP TS 29.060) in section 4.2 (GPRS). Also, some instances of "operator" are corrected to "Service Provider".</p>	IREG Packet	Nick Russell, Vodafone
4.0	10 December 2009	<p>Implementation of CR #21 (Major): To document the lessons learned after the ENUM trial, and to make the whole specification of the GRX/IPX Carrier ENUM take a more top-down approach.</p> <p>New template also applied.</p>	DAG #64	Nick Russell, Vodafone
4.1	3 March 2010	<p>Implementation of CR #22 (Minor): addition of "bcast" sub-domain to "mnc<MNC>.mcc<MCC>.pub.3gppnetwork.org". Minor editorial corrections also made, including clarification on a zero being inserted on the left side of any 2 digit MNCs used in domain names e.g. 15 becomes 015.</p>	IREG Packet (email approval)	Nick Russell, Vodafone

Version	Date	Brief Description of Change	Approval Authority	Editor / Company
5.0	21 July 2010	Implementation of CR#23 (Major): Updates to domain names used on the GRX/IPX network and inter-SP links	DAG #71	Nick Russell, Vodafone
5.1	13 August 2010	Implementation of the following CRs: CR #24 (Minor): Support of IP versions in DNS CR #25 (Minor): ENUMservice field value for SIP-I/PVI	IREG Packet (email approval)	Nick Russell, Vodafone
6.0	1 December 2011	Implementation of CR#26 (Major): Addition of new '.ipxuni' domain name and sub-domain name used for "well known" XCAP Root URI to "mnc<MNC>.mcc<MCC>.ipxuni.3gppnetwork.org"	DAG#86	Gert Öster, Ericsson
7.0		Implementation of the following CRs - CR #28 (Major): Addition of new subdomain for RCS/RCS-e as "rcs.mnc<mnc>.mcc<mcc>.pub.3gppnetwork.org" CR #29 (Major): Removal of sub domain name for the "XCAP root URI" from the "ipxuni" domain name and adding a new sub domain as xcap.ims.mnc<mnc>.mcc<mcc>.pub.3gppnetwork.org, and adding a new subdomain for bootstrapping when ISIM is used as bsf.ims.mnc<mnc>.mcc<mcc>.pub.3gppnetwork.org,	IREG#62 DAG#92	Gert Öster, Ericsson

Version	Date	Brief Description of Change	Approval Authority	Editor / Company
8.0	23/11/2012	<p>Implementation of the Following CRs</p> <p>CR 29 (Major) To briefly describe how GRX/IPX providers can subscribe to the RootDNS and access its services</p> <p>CR 30(Major) Adding the possibility to provide Non-authoritative final ENUM responses for ported-out users based on Legacy Number Portability Information</p> <p>CR 31(Major) Adding examples of Number portability solutions allowing the IPX/GRX ENUM to work for countries without a national Tier-1 ENUM DNS server, as requested by IWG IMQ and RCS-e.</p> <p>CR 32(Major) Removal of text not considering that Local Breakout for it specified method for IMS roaming in relation to VoLTE</p> <p>CR 33(Major) Adding a further example of ENUM NAPTR records with regular expressions where part of the result shall be substituted by the "original" E.164 number.</p> <p>CR 34(Major) To show that a Service provider does not need to provide all data for domain names the Service provider is authoritative for one DNS but that they may choose to imply multiple levels of Authoritative DNSs where a First level may refer to the Second level Authoritative DNS servers.</p>	IREG#63 DAG#99	Gert Öster, Ericsson

Version	Date	Brief Description of Change	Approval Authority	Editor / Company
9.0	21/10/2013	<p>Implementation of the following CRs</p> <p>CR1001 (Major) To add the "ipxnetwork.org" TLD for IPX providers that need a subdomain to identify their equipment and realms.</p> <p>CR1002 (Major) To add the subdomain used for interworking untrusted non-3GPP access networks to the EPC using the ePDG.</p> <p>CR1003 (Major) to clarify that text on provisioning in clause 5.4.3 only relates to ENUM and not HSS.</p> <p>CR1004 (Major) To describe the routine for delegation of "pub.3gppnetwork.org" sub-domains</p> <p>CR1005 (Major) To provide information on DNS resolution when IR.21 information is used.</p> <p>CR 1006 (Major) To correct the e-mail address for Root DNS questions to reflect the new "gsma.com" e-mail address</p>	IREG#65	Gert Öster, Ericsson
10.0	24/04/2014	<p>Implementation of the following CRs</p> <p>CR 1007 (Major) To add the subdomain for the "OAM System Realm" that can be used for IP autoconfiguration services e.g. in case Self-Organizing Networks (SON) as defined by 3GPP</p> <p>CR 1008 (Major) To provide guidance on naming of IMS Nodes, and to inform where guidance on EPC node name can be found</p>	IREG#66	Gert Öster, Ericsson
11.0	16/04/2015	<p>Implementation of the following CRs</p> <p>CR 1009 (Major) To add pointers to IR.88 for DNS configuration requirements in various 2G/3G and LTE coexistence scenarios.</p> <p>CR 1010 (Major) To add the subdomain for "Bootstrapping of MBMS service Announcements"</p> <p>CR 1011 (Major) To correct e-mail address to Delegation of "pub.3gppnetwork.org"</p>	NG#01	Gert Öster, Ericsson

Version	Date	Brief Description of Change	Approval Authority	Editor / Company
12.0	01/02/2016	IR.67 CR1012 Resolver architecture for service aware IPX	NG	Frederic Paquette Tata Communications
13.0	06/09/2016	CR1013 Sub-domain for ePDG selection with DNS-based Discovery of Regulatory requirements CR1014 SOA Refresh Timer alignment on root DNS	NG	Frederic Paquette Tata Communications
14.0	21/11/2016	IR.67 CR1015 IR.67 CR1015 DNS Guidelines for Service Providers and GRX and IPX Providers	NG	Frederic Paquette Tata communications
15.0	27/07/2017	IR.67 CR1017 DNS Guidelines for service providers – removal of ENUM content now in NG.105	NG	Frederic Paquette Tata communications
16.0	09/06/2020	CR1018 Introducing New Sub-domain for IWK with SNPN CR1019 Clean-up of References	NG	Sajid Soormally (Nokia) Wayne Cutler (GSMA)
17.0	21/10/2020	CR1020 NNI Interworking - single dual registration IMS cores	NG	Wayne Cutler (GSMA)
18.0	06/05/2021	CR1021 DNS Guidelines for Service Providers and GRX and IPX Providers	NG	Chris Li (GSMA)
19.0	23/11/2021	CR1022 SEPP FQDN resolution before N32 Handshake Procedure	NG	André Nunes (Vodafone)
20.0	10/05/2022	CR1023 Naming scheme for non-MNO entities on the IPX Network for 5G SA Roaming R1024 SEPP Discovery	NG	Pieter Veenstra (NetNumber, Inc.)
21.0	25/11/2022	CR1025 Adding “WLAN” to pub.3gppnetwork.org domain	NG	Wayne Cutler (GSMA)
22.0	31/05/2023	NRG 016_009 IR.67 CRxxxx to v21.0 N32 purpose_r7	NG	Alf Zugenmaier (NTT DOCOMO)
23.0	02/02/2024	IR.67 CR1002 Change from CNAME to NS only	NG	Chris Li, GSMA

Version	Date	Brief Description of Change	Approval Authority	Editor / Company
24.0	16/12/2024	CR1028 Sub-domain for Entitlement Server selection CR1029 Sub-domain for Certificates purpose	NG	Yannick Mareau (JT)
25.0	20/06/2025	NRG 025_007 IR.67 CR1030 Non-MNO SEPP for hubs and ipxnetwork.org sub-domain r2	NG	Eddy Goffin / Marc Balon (Orange)
26.0	12/11/2025	NRG 026_013 IR67 CR1031_MaPi adding Domain names r3 NRG 027_015 IR.67 CR1032EdGo Recommended NE configurations to ensure resilience and avoid Signalling storms in case of DNS unavailability v0.3	NG	Martin PISOKE (Deutsche Telekom), Sven Lachmund (Deutsche Telekom) Eddy Goffin (Orange)
27.0	26/02/2026	NRG 028_001 IR.67 CR1033JaSe 3.2 Abbreviations Table and Infocentre reference removal	ISAG	Eddy Goffin (Orange)

Other Information

Type	Description
Document Owner	NG
Editor / Company	Eddy Goffin (Orange)

It is our intention to provide a quality product for your use. If you find any errors or omissions, please contact us with your comments. You may notify us at prd@gsma.com

Your comments or suggestions & questions are always welcome.